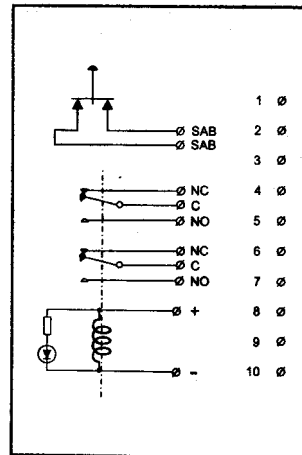


RC 010-10 Relay card with extra terminals



The RC 010-10 has one relay with two separate form C, change over contacts. Each contact has its own screw terminal. The relay operates within the wide voltage range from 9-30V DC. When the relay is energised a red LED indicates to confirm the installation. On the PCB is also a tamper contact that can be used as an opening protection. To simplify the installation there are 10 extra free terminals.

All screw terminals are equipped with wire guard

Features

- One relay with 2 form C, change over contacts
- 10 extra free terminals
- LED indication when relay is energised
- Tamper contact
- Wide operating voltage range from 9V to 30V
- Screw terminals with wire guard
- UPEA-BBVO approvals

Technical data:

Supply voltage 9-30V

Current consumption

At 12V 17mA when energised
At 28V 39mA when energised

Contact ratings

Max switching power 60W DC/125VA AC
Max switching voltage 220V DC/250V AC
Expected life 0,5 million operations at 1A/24V DC load

Tamper contact

Max voltage 30V DC
Max current 50 mA DC
Temperature range -40 to +70°C
Dimensions: L87xW64xD30
Weight 87 gram

Approvals

CE In conformity