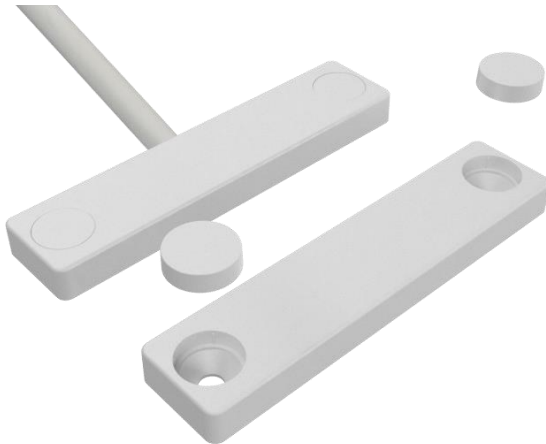


Instruction Manual

MC 746-E

MC 746-E



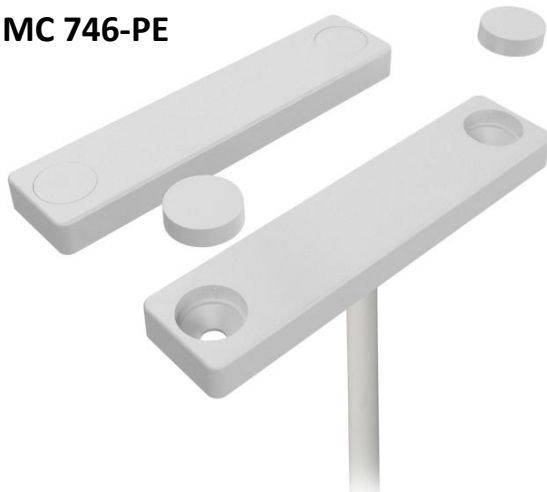
DESCRIPTION

MC 746-E is a surface mounted magnetic contact with a change over reed contact (NC/NO) to be used in both alarm and security access control systems for protection of doors and windows against unauthorised opening. The magnetic contact is designed to be mounted in places with limited space.

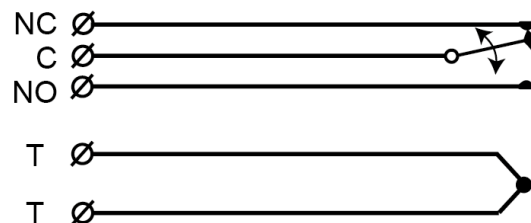
MOUNTING INSTRUCTIONS

- MC 746-PE option with the cable inlet at the bottom of the housing is available.
- Contact and magnet should be installed in parallel, corresponding to each other. Offset will reduce the working distances.
- Contact can operate in front-to-front or side-to-side configuration.

MC 746-PE



CIRCUIT DIAGRAM



TECHNICAL DATA

| | | |
|-----------------------------|-----------------------------------|-----------------|
| Working environment | Wood | Steel |
| Make distance | typ. 37 mm | not recommended |
| Break distance | typ. 44 mm | not recommended |
| Contact type | Form C (SPDT) | |
| Switching voltage max. | 48 V DC/AC | |
| Switching current max. | 250 mA DC/peak AC | |
| Contact rating max. | 10 W | |
| Cable | φ 3,6 mm, 5x0,182 mm ² | |
| Operating temperature range | -40°C to +70°C | |
| Operating humidity | max. 95% RH | |
| Housing material | plastic ABS | |
| Dimensions: | | |
| Contact part | 60 x 5 x 14 mm | |
| Magnet part | 60 x 5 x 14 mm | |

OPERATING PRINCIPLE

MC 746-E magnetic contact has two parts: the contact part with a reed switch and the magnet part. In its neutral position the reed switch remains closed under the force of the magnetic field. Opening the monitored object increases the distance between the reed switch and the magnet. This causes a change in position of the reed switch and as a result – a path of the signal.

Magnetic contacts should not be installed in the vicinity of strong magnetic fields.

INSTALLATION

Depending on the application, contact and magnet should be installed in either front-to-front or side-to-side configuration. MC 746-PE option increases the number of possible applications. Installation drawings show the correct positioning of the contact parts. Contact and magnet should be installed in parallel, corresponding to each other. Offset will reduce the working distances. The contact should be mounted on the stationary part of the monitored object (ex. door frame) and the magnet on the movable part (ex. door leaf).

During installation of the contact part of MC 746-PE (cable inlet at the bottom) in window or door frame, it is advised to leave additional cable loop for about 10cm long.



After the installation, use an ohmmeter to check the electrical connections and test the operation of the magnetic contact.

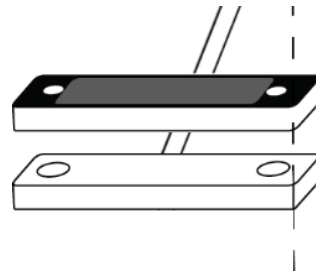
Warning: applying excessive force to the housing of the contact may damage the glass body of the reed switches inside.

Warning: installation in ferromagnetic environment is not recommended.

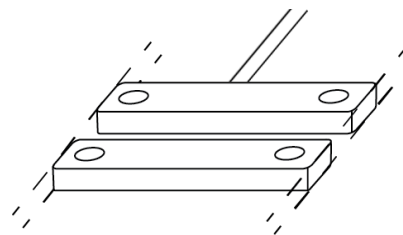
INSTALLATION DRAWINGS

Correct positioning of side cable inlets ensure the maximum working distances.

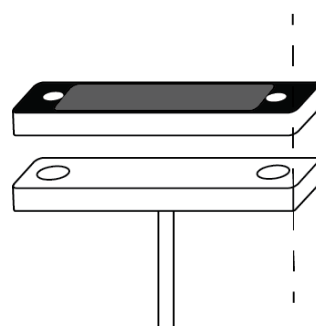
MC 746-E in front-to-front configuration



MC 746-E in side-to-side configuration



MC 746-PE in front-to-front configuration



MC 746-PE in side-to-side configuration

