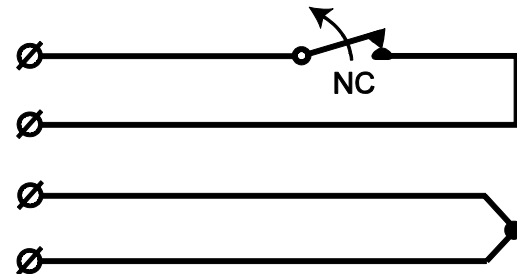




DESCRIPTION

MC 740-E-M14 is a surface mounted magnetic contact used in both alarm and security access control systems for protection of doors and windows against unauthorised opening. The magnetic contact is designed to be mounted in places with limited space. The magnet part is easy to mount with supplied rivet or screw.

CIRCUIT DIAGRAM



OPERATING PRINCIPLE

MC 740-E-M14 magnetic contact has two parts: the contact part with a reed switch and the ring magnet part. In its neutral position the reed switch remains closed under the force of the magnetic field. Opening the monitored object increases the distance between the reed switch and the magnet. This reduces the influence of the magnetic field on the reed switch until it opens and activates an alarm.

Magnetic contacts should not be installed in the vicinity of strong magnetic fields.

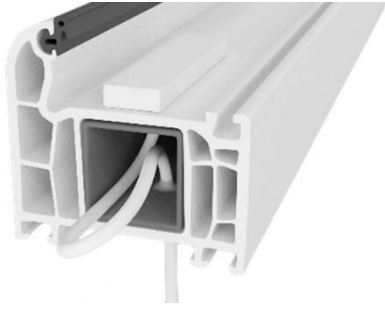
TECHNICAL DATA

Working environment	Wood	Steel
Make distance	typ. 25 mm	not recommended
Break distance	typ. 28 mm	not recommended
Contact type	form A, SPST	
Switching voltage max.	48 V DC/AC	
Switching current max.	500 mA DC/peak AC	
Contact rating max.	10 W	
Cable	φ 3,4 mm, 4x0,182 mm ²	
Operating temperature range	-40°C to +70°C	
Operating humidity	max. 95% RH	
Housing material	plastic ABS	
Dimensions:		
Contact part	60 x 5 x 13,5 mm	
Magnet part	Φ14 x 3,5 mm	

INSTALLATION

Depending on the application, contact and magnet should be installed in either front-to-front or side-to-front configuration. Installation drawings show the correct positioning of the contact parts. The contact should be mounted on the stationary part of the monitored object (ex. door frame) and the magnet on the movable part (ex. door leaf, roller-shutter).

During installation of contact part in window or door frame, it is advised to leave additional cable loop for about 10cm long.



After the installation, use an ohmmeter to check the electrical connections and test the operation of the magnetic contact.

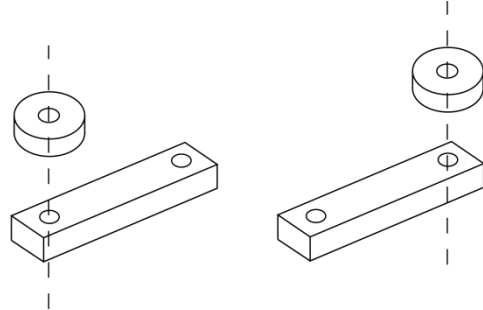
Warning: applying excessive force to the housing of the contact may damage the glass body of the reed switches inside.

Warning: installation in ferromagnetic environment is not recommended.

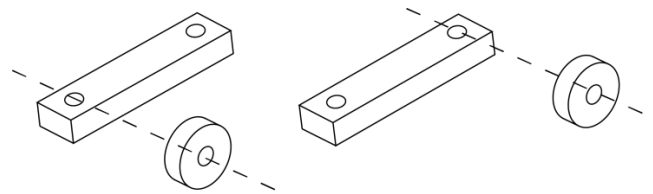
INSTALLATION DRAWINGS

Correct positioning of side cable inlets ensure the maximum working distances.

MC 740-E-M14 in front to front configuration



MC 740-E-M14 in side to front configuration



We reserve the right to changes without notice.