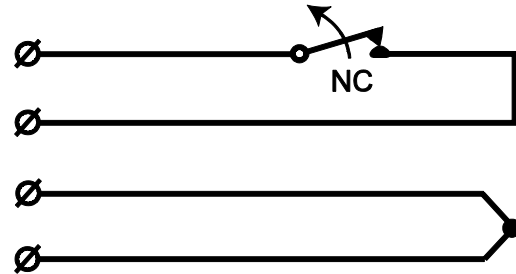
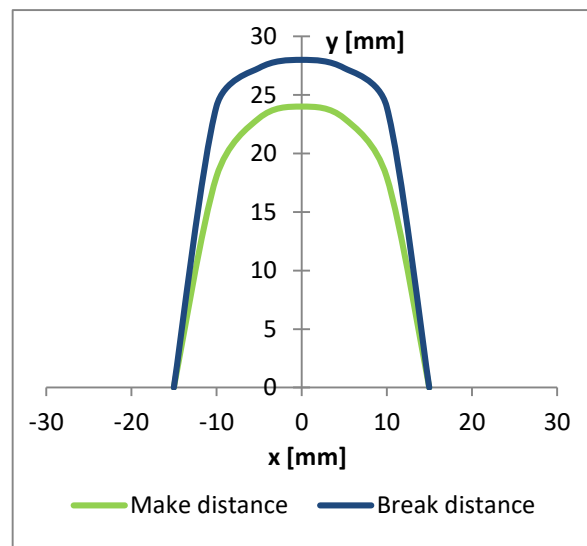




CIRCUIT DIAGRAM



DISTANCE DIAGRAM - WOOD



DESCRIPTION

MC 640 is a recessed mounted magnetic contact used in both alarm and security access control systems for protection of doors and windows against unauthorised opening. The contact can also be mounted in hollow profiles.

MOUNTING INSTRUCTIONS

- Contact and magnet should be installed in parallel, corresponding to each other. Offset will reduce the working distances.
- MC 600-1 accessory should be used when installing the contact in hollow profiles.

TECHNICAL DATA

Working environment	Wood	Steel
Make distance	typ. 24 mm	not recommended
Break distance	typ. 28 mm	not recommended
Contact type	form A, SPST	
Switching voltage max.	48 V DC/AC	
Switching current max.	500 mA DC/peak AC	
Contact rating max.	10 W	
Cable	φ 3,4 mm, 4x0,182 mm ²	
Environmental class (EN50130-5:2011)	IIIA	
Operating temperature range	-40°C to +70°C	
Operating humidity	max. 95% RH	
Housing material	plastic ABS	
Dimensions, Contact part	60,6 x 9,2 x 9 mm	
Dimensions, Magnet part	60,6 x 9,2 x 9 mm	
Security grade (EN50131-2-6:2008)	2	
Approvals	SBSC 9-215 VdS EN-ST000093, G199523 class B INCERT B-582-1003	

OPERATING PRINCIPLE

MC 640 magnetic contact has two parts: the contact part with a reed switch and the magnet part. In its neutral position the reed switch remains closed under the force of the magnetic field. Opening the monitored object increases the distance between the reed switch and the magnet. This reduces the influence of the magnetic field on the reed switch until it opens and activates an alarm.

Magnetic contacts should not be installed in the vicinity of strong magnetic fields.

INSTALLATION

Contact and magnet should be installed in parallel, corresponding to each other. Offset will reduce the working distances. Arrows on the contact and magnet housings must face each other and point in the same direction. The contact should be mounted in the stationary part of the monitored object (ex. door frame) and the magnet in the movable part (ex. door leaf).

For sites where it is impossible to mount the contact directly, MC 600-1 accessory should be used. MC 600-1 requires an oval opening of 64,5 x 10 x 13,5 mm.

Only non-ferromagnetic screws may be used for mounting the contact.

After the installation, use an ohmmeter to check the electrical connections and test the operation of the magnetic contact.

Warning: applying excessive force to the housing of the contact may damage the glass body of the reed switches inside.

Warning: installation in ferromagnetic environment is not

DISTANCE TABLE

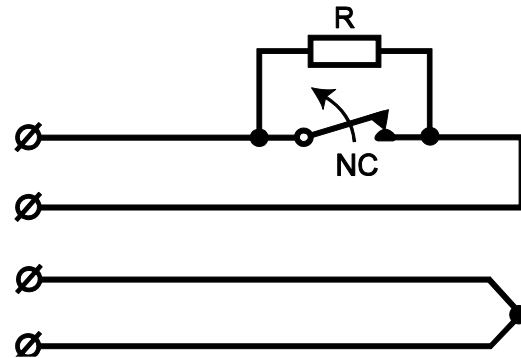
Contact	Accessory	Distance on wood [mm]	
		Make	Break
MC 640	-	24	28
	MC 600-1	24	28

recommended.

RESISTORS (OPTIONAL)

MC 640 is available in two additional options with resistors of the chosen value: MC 640-R with one resistor parallel to the alarm switch and MC 640-2R with two resistors in 2 EOL configuration (see schematics below).

MC 640-R:



MC 640-2R:

