



DESCRIPTION

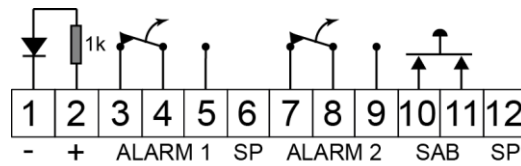
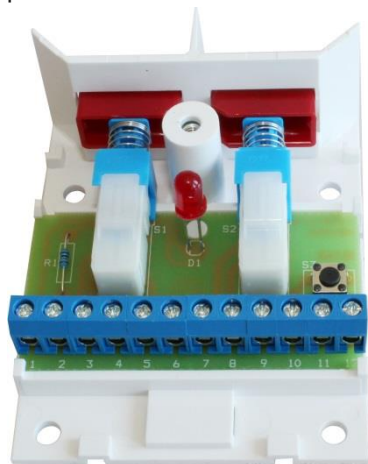
HB 105 is a hold up panic push button that can be used for various applications in an alarm system. HB 105 has two push buttons with changeover function (NC / NO) in the terminal block. However, depending on the wiring in the terminal block HB 105 can be used for dual operation (type X according to CLC/TS 50131-11:2012 Ch. 4.4.1) or single operation (type V) of the buttons. There's also an input for connecting the built-in LED to a control panel. The HB 105 is protected against opening of the cover.

HB 105 is available in two versions:
 HB 105-M with momentary push-buttons
 HB 105-L with latching push buttons

INSTALLATION

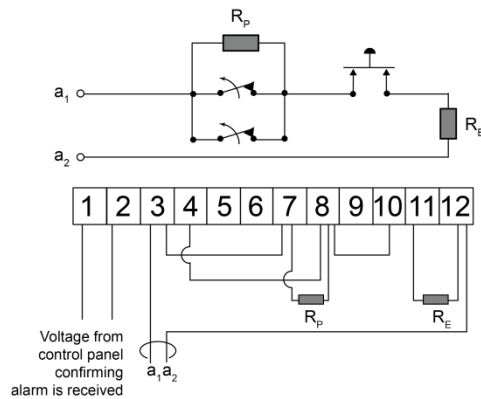
CONNECTION

The connector has 12 screw terminals with wire protection. Connections as below:

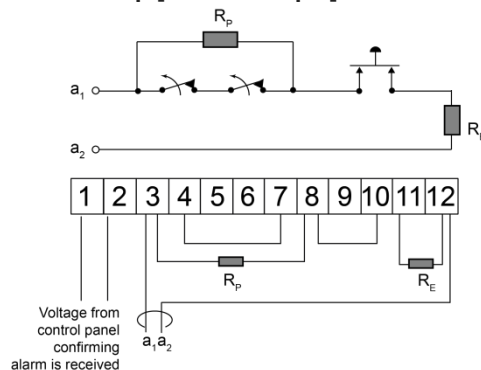


- 1 - Supply voltage (-) for LED
- 2 - Power supply (+) to LED
- 3 - NC (Alarm 1)
- 4 - C (Alarm 1)
- 5 - NO (Alarm 1)
- 6 - Free
- 7 - NC (Alarm 2)
- 8 - C (Alarm 2)
- 9 - NO (Alarm 2)
- 10 - Sabotage switch
- 11 - Sabotage switch
- 12 - Free

Example of connection for dual operation on a balanced loop [EOL example]:



Example of connection for single operation on a balanced loop [2EOL example]:



TECHNICAL DATA

Alarm output	2 x change over contacts, max 30 VDC / 100 mA
Tamper	Opening protection contact, max 30 VDC / 50 mA
Power supply (for LED)	9-30 VDC (LED is in series with a 1 kΩ resistor)
Approvals	CLC/TS 50131-11 Grade 3 (VdS EN-ST-000297)
Environmental Class	EN 50130-5 Class II
Temperature range	-10 to +55 °C
Humidity	max. 95% RH
Protection class	IP31
Dimensions (L x W x H)	80 x 65 x 30
Compliance	



We reserve the right to changes without notice.