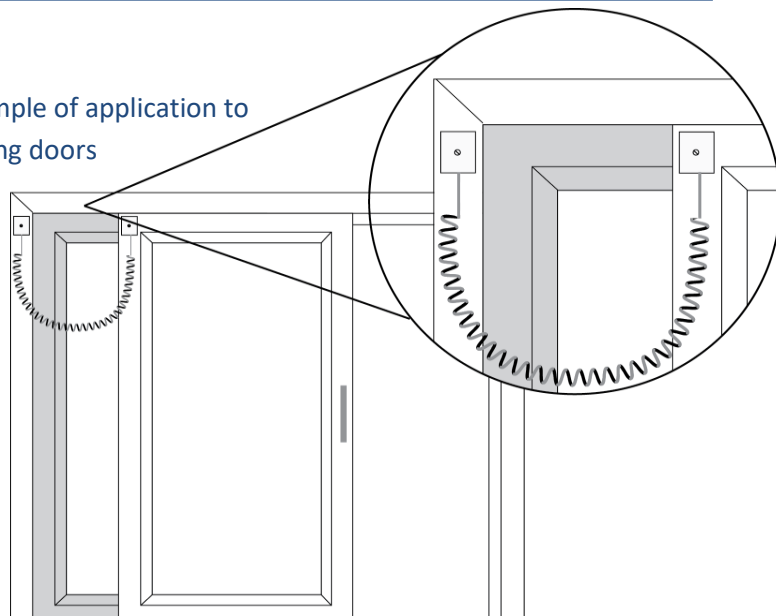




Example of application to sliding doors



DESCRIPTION

DL 6A is a door loop that consists of a 6-pole flexible spiral cable with RJ12 modular connector (6/6) at both ends and two junction boxes (JB 103-6) with modular connector connection and 8 screw connections of which 2 are for the opening contact.

The door loop is intended for sliding doors, turning windows and other objects where a flexible cable is needed in alarms and access systems.

The junction box is equipped with cable relief protection for the modular connector by the cover locking the cable grooves against the base for secure installation. The screw connections have a lift function for safe mounting. The junction box has a tamper contact for protection against opening the enclosure.

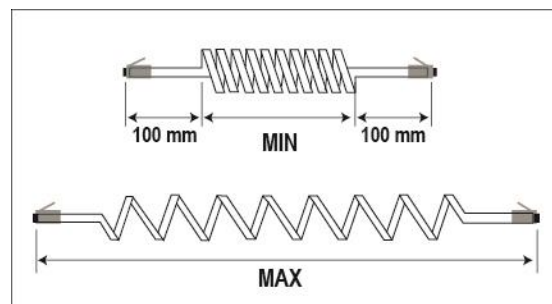
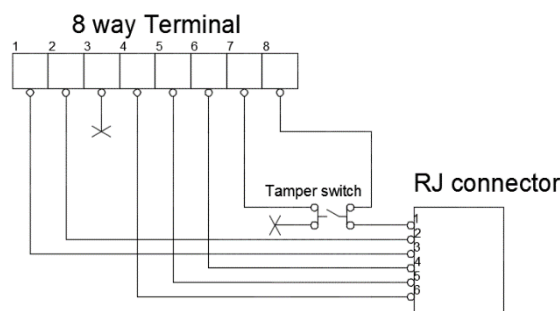
The cable is made of PUR, which means that it is more elastic and durable than a PVC cable. The cable is available in two sizes, 100 cm and 250 cm (recommended extended length). The box and the cable are available in black or white color. Connectable conductor area max 1.5 mm²

TECHNICAL DATA

Sabotage protection	Yes, 30VDC/50mA
Connection	8 screw terminals
Cable dimension(screw terminals)	0,2 - 1,5 mm ²
Spiral cable connection	RJ12 contact, 6-pin connector
Housing color	ABS plastic white or black
Size boxes (LxWxH)mm	91x31x23

Lenght spiral cable	DL 6A-100	ca 35 cm - 100 cm
	DL 6A-250	ca 75 cm - 250 cm

CIRCUIT DIAGRAM



DL 6A-100 MIN = 35 cm, MAX = 100 cm
DL 6A-250 MIN = 75 cm, MAX = 250 cm

ORDERING INFORMATION

Model	Description
DL 6A-100	Door loop with RJ12 connection, spiral cable, 100 cm
DL 6A-100-BL	Door loop with RJ12 connection, spiral cable, 100 cm, black
DL 6A-250	Door loop with RJ12 connection, spiral cable, 250 cm
DL 6A-250-BL	Door loop with RJ12 connection, spiral cable, 250 cm, black