

8174

## FUSE TERMINAL 24 VDC FOR MOUNTING ON DIN RAIL

## Ficha de datos

Consumo amperaje	30 mA @24 VDC
Dimensiones (L x A x A) mm	116 x 121 x 39
Carga máxima - Alimentación	24 V / 10 A
Cable dimension - input	0,2 - 2,5 mm <sup>2</sup>
Cable dimension - output	0,14 - 1,5 mm <sup>2</sup>
Output max. load	24 V / 2 A



## Fuse terminal DIN for installation of alarm and access systems.

Fuse terminal 24 VDC for power distribution, 10A to 5 sections, each fused with 2A. Relay in series with LED for indication of unbroken fuse, applies both + and -.

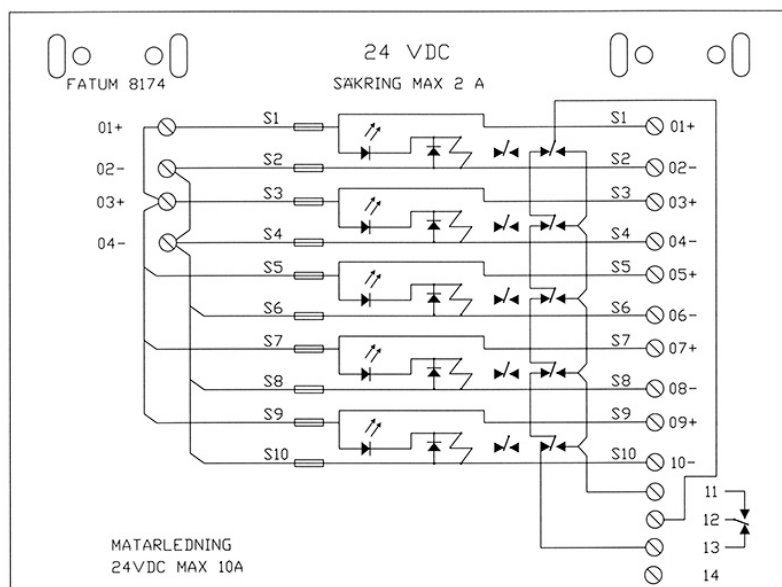
Summary alarm, NC or NO.

Separate terminal for incoming power cord and separate connection terminal for outgoing distribution cables.

2 labels for marking incoming and outgoing cables are mounted on the terminal (labels included).

Fire class according to UL 94 V-0.

The terminal has up to 2.5 mm<sup>2</sup> screw connection with a lift function for input and 1.5 mm<sup>2</sup> for output.



**INFORMACIÓN DE PEDIDO**

<b>Código</b>	<b>Descripción</b>
8174.03	Bloque fusibles DIN, 24 VCC, Tornillo