

MC 370-S1

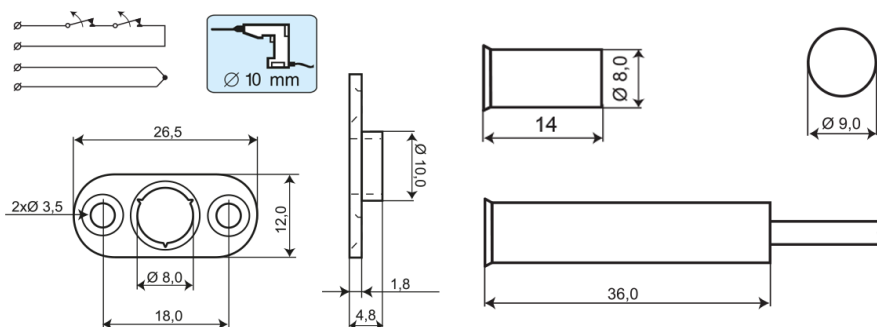
High Security Contact,
Recessed Mounting, NC

Technical data

Installation method	Recessed mounting
Contact function	Normally Closed (NC)
Approvals	EN 50131-2-6 Grade 3, Class IIIA, VdS G 197064 Class C, INCERT B-582-1003, SBSC 9-207, Class 3, FG, NBÚ CZ Typ 3, NBÚ SK Typ 3
Contact rating	48 VDC / 500 mA / 10 VA
Drill diameter mm	8
Magnet type	Neodymium (NdFeB)
Mounting on steel	Only with accessories
Make distance (wood) mm	16
Sabotage distance (wood) mm	5
Make distance (steel) mm	X
Tamper protection	Yes
Connection	Cable
Housing material	ABS Plastic
Colour	White
Operating temperature range	-40°C - +70°C
Housing protection class	IP 67
Contact dimensions (L x Ø) mm	36 x 9
Magnet dimensions (L x Ø) mm	14 x 9
Grade	3



MC 370-S1 is a high security magnetic contact set with NC function that can be used in both alarm and access control systems for monitoring doors and windows against unauthorized opening. The contact is specially designed for use in banks, museums, art galleries, stores, etc. This set includes MC 370 and the small plastic adapter set MC 300-S1 for recessed installation with screws in non-magnetic door and window frames. Both the contact and the magnet part are in a water proof (IP 67) plastic housing, which enables easy installation into wood without additional accessories. Contact and magnet are paired. To ensure proper functionality, do not replace the contact or magnet alone.



ORDERING INFORMATION

