

## MC 347

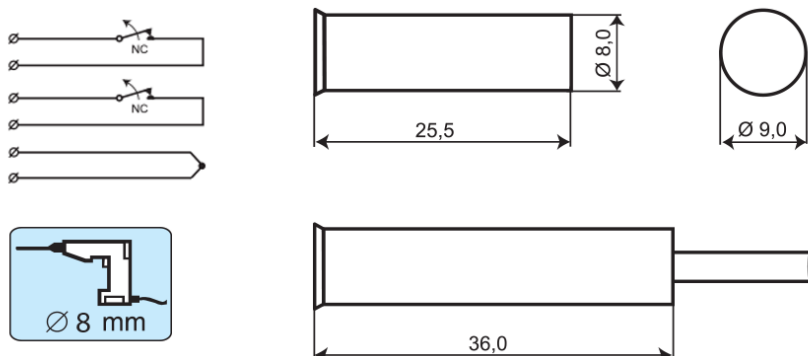
Magnetic Contact,  
Recessed mounting, 2 x NC

## Technical data

Installation method	Recessed mounting
Contact function	Double (2 x) NC
Approvals	EN 50131-2-6 Grade 2, Class IIIA, INCERT B-582-1003, SBSC 9-204, Class 2, NBU T02-3/2019, NF&A2P, CNPP 2124030002C0, GRADE 2 + RTC
Contact rating	48 VDC / 500 mA / 10 VA
Drill diameter mm	8
Magnet type	Alnico 5
Mounting on steel	Only with accessories
Make distance (wood) mm	18
Make distance (steel) mm	X
Tamper protection	Yes
Connection	Cable
Housing material	ABS Plastic
Operating temperature range	-40°C – +70°C
Housing protection class	IP 67
Contact dimensions (L x Ø) mm	36 x 9
Magnet dimensions (L x Ø) mm	26 x 6
Grade	2




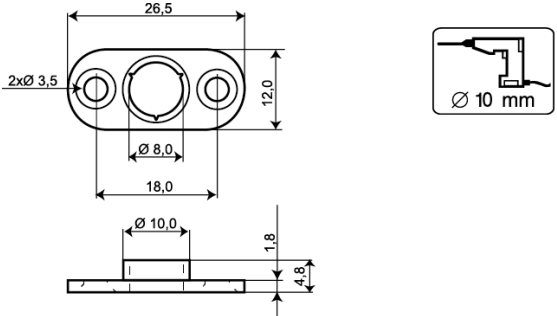

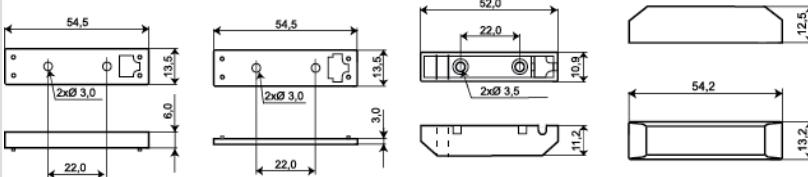

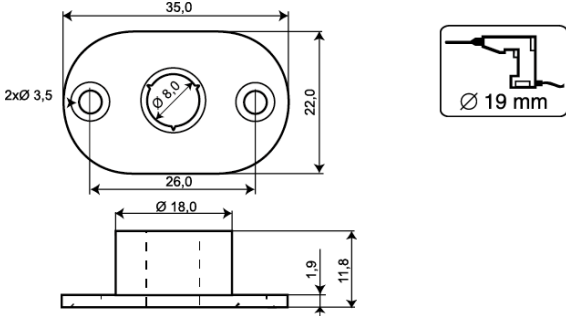

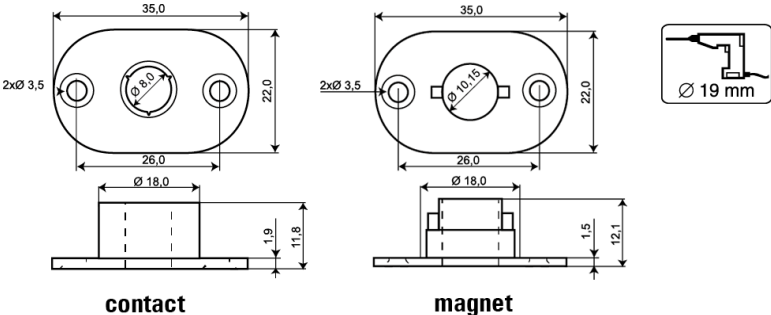

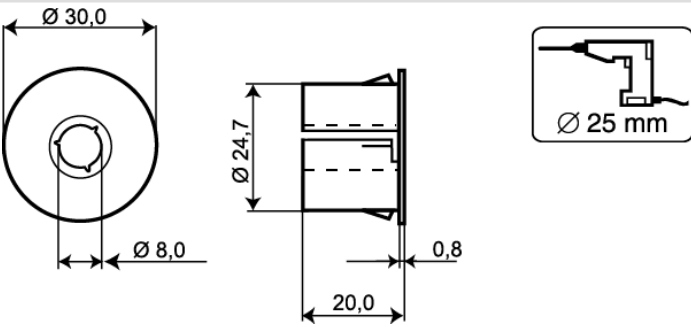
MC 347 is a universal magnetic contact with double NC function that can be used in both alarm and access control systems for monitoring e.g. doors and windows against unauthorized opening. Both the contact and the magnet part are in a water proof (IP 67) plastic housing, which enables easy installation into wood without additional accessories. With our extensive range of installation accessories it is easy to install the contact either recessed or as a surface mount on metal and other materials.




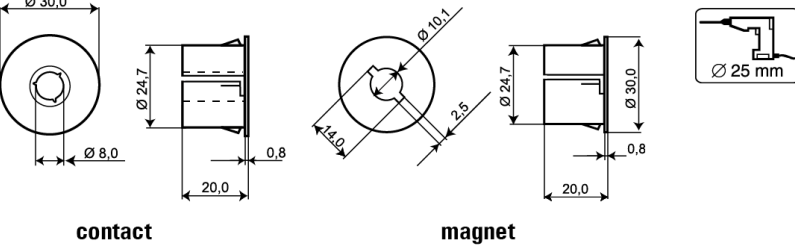

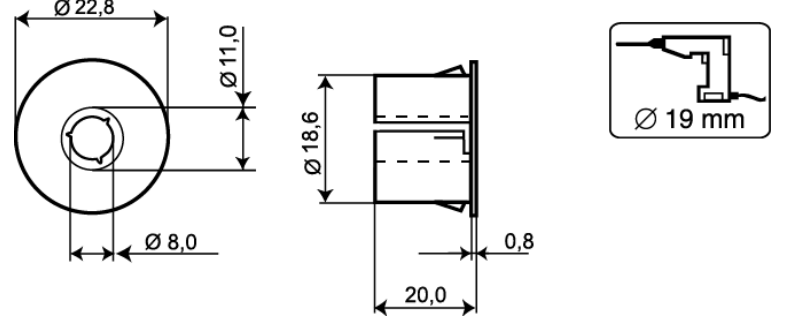

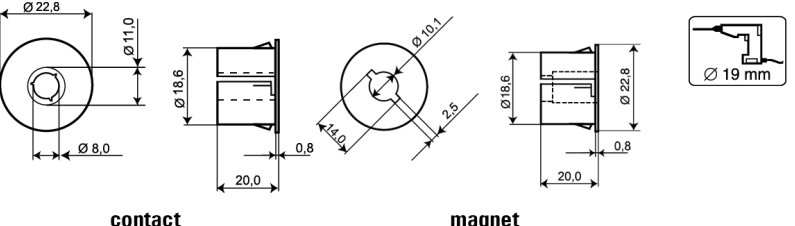

## ORDERING INFORMATION

Model	Description
MC 347	Recessed magnetic contact, 2 x NC, 2 m cable
MC 347-5	Recessed magnetic contact, 2 x NC, 5 m cable
MC 347-10	Recessed magnetic contact, 2 x NC, 10 m cable
MC 347-C	Recessed contact part without magnet, 2 x NC, 5 m cable

Related products and accessories

	<p><b>MC 300-S1</b></p> <p>Plastic flanges for MC 340, 346, 347, 370</p>	
	<p><b>MC 300-S3</b></p> <p>Plastic Housing for MC 340, 346, 347</p>	
	<p><b>MC 300-S11</b></p> <p>Plastic Flange for MC 340, 346, 347 and 370</p>	
	<p><b>MC 300-S12</b></p> <p>Plastic Flange with Strong Magnet for MC 340, 346, 347</p>	
	<p><b>MC 300-S21</b></p> <p>Plastic Snap-in Flange for MC 340, 346, 347, 370</p>	

Related products and accessories

	<p><b>MC 300-S22</b></p> <p>Snap-in Flange with Strong Magnet for MC 340, 346, 347</p>	 <p style="text-align: center;"><b>contact</b> <span style="margin-left: 200px;"><b>magnet</b></span></p>
	<p><b>MC 300-S31</b></p> <p>Plastic Snap-in Flange for MC 340, 346, 347, 370</p>	 <p style="text-align: center;"><b>contact</b> <span style="margin-left: 200px;"><b>magnet</b></span></p>
	<p><b>MC 300-S32</b></p> <p>Snap-in Flange with Strong Magnet for MC 340, 346, 347</p>	 <p style="text-align: center;"><b>contact</b> <span style="margin-left: 200px;"><b>magnet</b></span></p>
	<p><b>MC 300-S35</b></p> <p>Plastic Housing for MC 340, 346, 347</p>	