

MC 340-S12

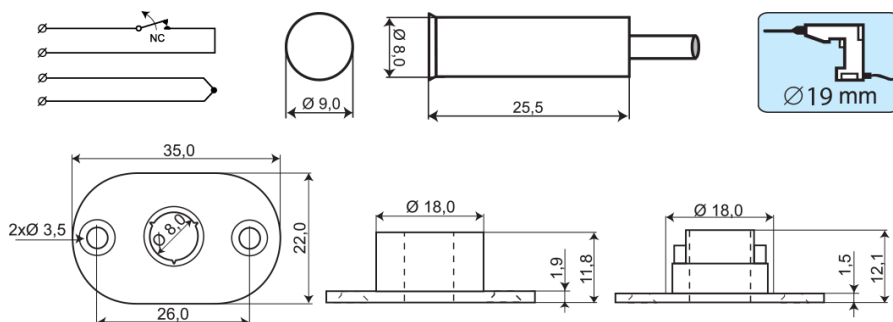
Magnetic Contact
for Steel Doors, NC

Technical data

Installation method	Recessed mounting
Contact function	Normally Closed (NC)
Approvals	EN 50131-2-6 Grade 2, Class IIIA, VdS G 196670 Class B, INCERT B-582-1003, SBSC 9-200, Class 2, FG, NBÚ CZ Typ 2, NBÚ SK Typ 2, NF&A2P
Contact rating	48 VDC / 500 mA / 10 VA
Drill diameter mm	8
Magnet type	Neodymium (NdFeB)
Make distance (wood) mm	35
Make distance (steel) mm	22
Tamper protection	Yes
Connection	Cable
Housing material	ABS Plastic
Colour	White
Operating temperature range	-40°C - +70°C
Contact dimensions (L x Ø) mm	8 x 26 mm
Magnet dimensions (L x Ø) mm	8 x 26 mm
Grade	2



MC 340-S12 is a universal magnetic contact with NC function that can be used in both alarm and access control systems for monitoring e.g. doors and windows against unauthorized opening. This set includes MC 340 and the plastic adapter set MC 300-S12 with a strong magnet enabling recessed installation with screw connection to door and window frames of steel, or in spaces where a larger operation gap is required. Both the contact and the magnet part are in a water proof (IP 67) plastic housing.



ORDERING INFORMATION

Model	Description
MC 340-S12	Recessed magnetic contact for steel doors, NC, 2 m cable
MC 340-S12-5	Recessed magnetic contact for steel doors, NC, 5 m cable
MC 340-S12-10	Recessed magnetic contact for steel doors, NC, 10 m cable