

## MC 340-S3

## Magnetic Contact, Recessed/surface mounting, NC

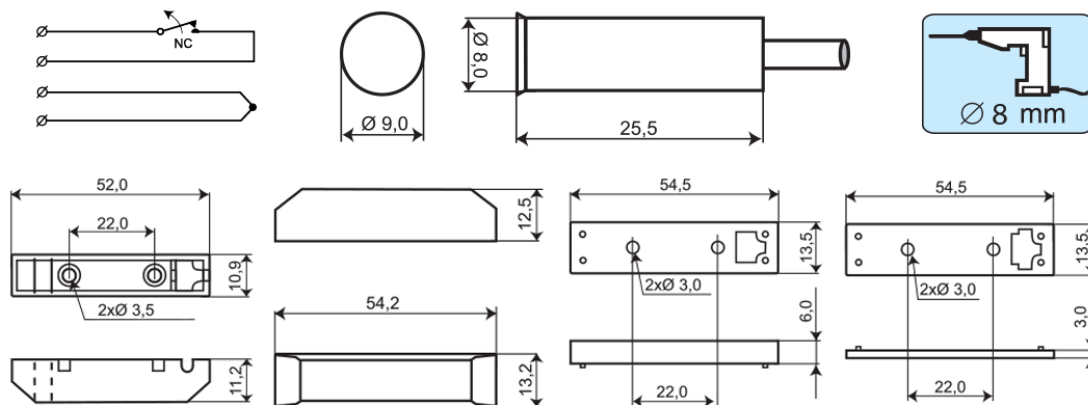


## Technical data

Installation method	Recessed mounting
Contact function	Normally Closed (NC)
Approvals	EN 50131-2-6 Grade 2, Class IIIA, VdS G 196670 Class B, INCERT B-582-1003, SBSC 9-200, Class 2, FG, NBÚ CZ Typ 2, NBÚ SK Typ 2, NF&A2P
Contact rating	48 VDC / 500 mA / 10 VA
Drill diameter mm	8
Magnet type	Alnico 5
Make distance (wood) mm	17
Make distance (steel) mm	12
Tamper protection	Yes
Connection	Cable
Housing material	ABS Plastic
Colour	White
Operating temperature range	-40°C - +70°C
Housing protection class	IP 67
Contact dimensions (L x Ø) mm	26 x 9 mm
Magnet dimensions (L x Ø) mm	26 x 9 mm
Contact dimensions (L x W x H) mm	55 x 14 x 13 mm
Magnet dimensions (L x W x H) mm	55 x 14 x 13 mm
Grade	2



MC 340-S3 is a universal magnetic contact set with NC function that can be used in alarm and access control systems for monitoring e.g. doors and windows against unauthorized opening. Both the contact and the magnet part are in a water proof (IP 67) plastic housing. This set includes MC 340 and the plastic housing set MC 300-S3 for surface mount installation, the contact and magnet are snapped in to the plastic parts.



## ORDERING INFORMATION

