

MC 340-S1

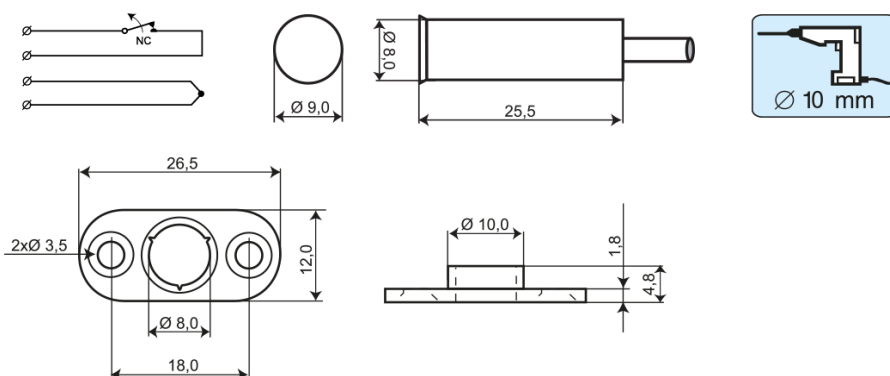
Magnetic Contact,
Recessed mounting, NC

Technical data

Installation method	Recessed mounting
Contact function	Normally Closed (NC)
Approvals	EN 50131-2-6 Grade 2, Class IIIA, VdS G 196670 Class B, INCERT B-582-1003, SBSC 9-200, Class 2, FG, NBÚ CZ Typ 2, NBÚ SK Typ 2, NF&A2P
Contact rating	48 VDC / 500 mA / 10 VA
Drill diameter mm	8
Magnet type	Alnico 5
Make distance (wood) mm	21
Make distance (steel) mm	X
Tamper protection	Yes
Connection	Cable
Housing material	ABS Plastic
Colour	White
Operating temperature range	-40°C – +70°C
Housing protection class	IP 67
Contact dimensions (L x Ø) mm	8 x 26 mm
Magnet dimensions (L x Ø) mm	8 x 26 mm
Grade	2



MC 340-S1 is a universal magnetic contact set with NC function that can be used in both alarm and access control systems for monitoring e.g. doors and windows against unauthorized opening. This set includes MC 340 and the small plastic flange set MC 300-S1 for recessed mounting with screw connection in non-magnetic door and window frames. Both the contact and the magnet part are in a water proof (IP 67) plastic housing.



ORDERING INFORMATION

Model	Description
MC 340-S1	Recessed magnetic contact, NC, 2 m cable
MC 340-S1-5	Recessed magnetic contact, NC, 5 m cable
MC 340-S1-10	Recessed magnetic contact, NC, 10 m cable