

## MC 340

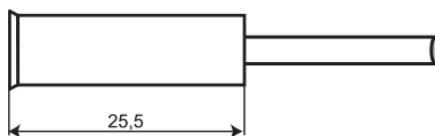
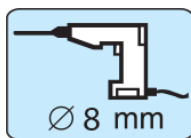
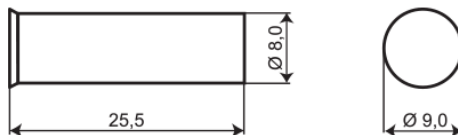
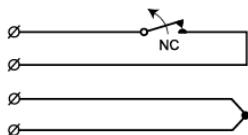
Magnetic Contact,  
Recessed mounting, NC

## Technical data

Installation method	Recessed mounting
Contact function	Normally Closed (NC)
Approvals	EN 50131-2-6 Grade 2, Class IIIA, VdS G 196670 Class B, INCERT B-582-1003, SBSC 9-200, Class 2, FG, NBÚ CZ Typ 2, NBÚ SK Typ 2, F&P Danmark, NF&A2P, CNPP 2124030002A0, GRADE 2 + RTC
Contact rating	48 VDC / 500 mA / 10 VA
Drill diameter mm	8
Magnet type	Alnico 5
Make distance (wood) mm	21
Make distance (steel) mm	X
Tamper protection	Yes
Connection	Cable
Housing material	ABS Plastic
Colour	White
Operating temperature range	-40°C - +70°C
Housing protection class	IP 67
Contact dimensions (L x Ø) mm	26 x 9
Magnet dimensions (L x Ø) mm	26 x 9
Grade	2




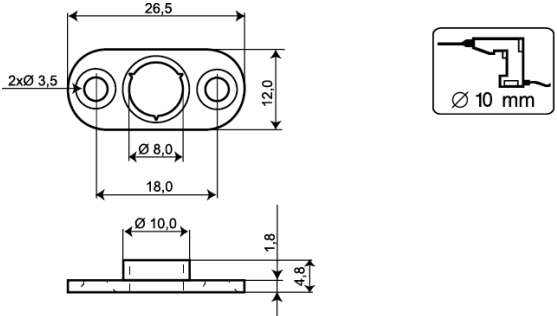

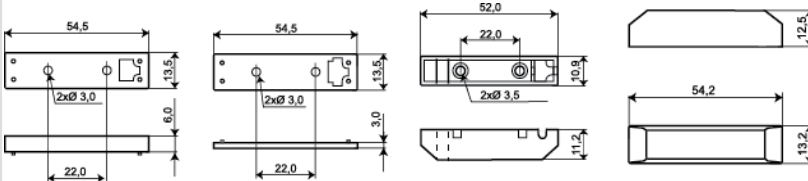

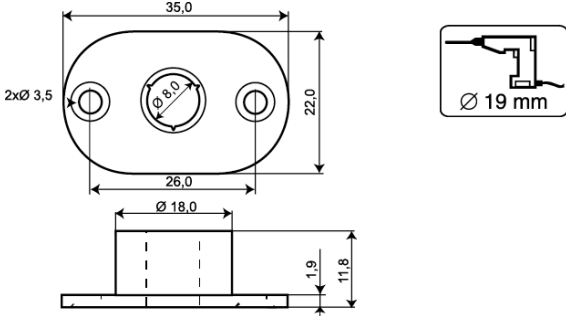

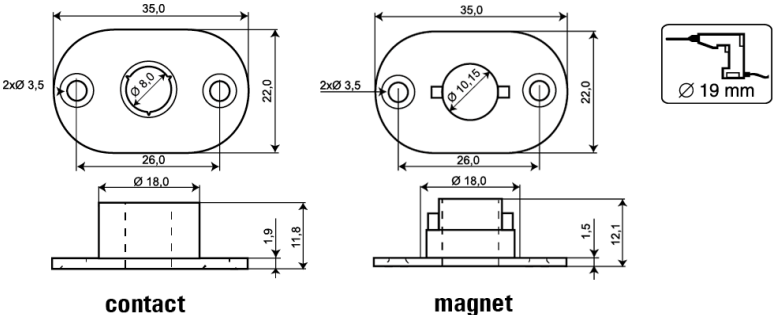

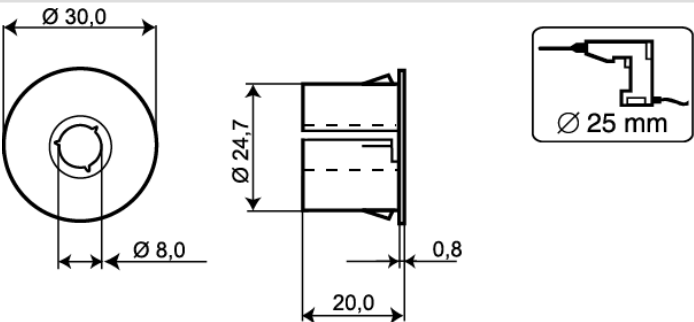
MC 340 is a universal magnetic contact with NC function that can be used in both alarm and access control systems for monitoring e.g. doors and windows against unauthorized opening. Both the contact and the magnet part are encased in a water proof (IP67) plastic housing, which enables easy installation into wood without additional accessories. With our extensive range of installation accessories it is easy to install the contact either recessed or as a surface mount on metal and other materials.




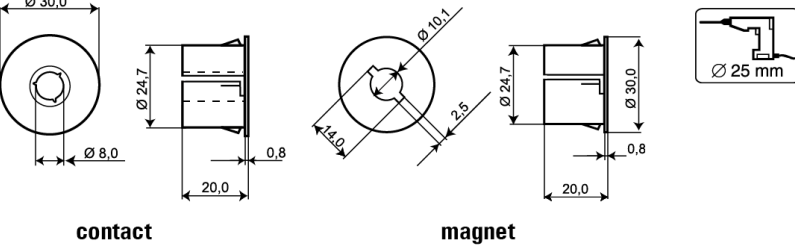

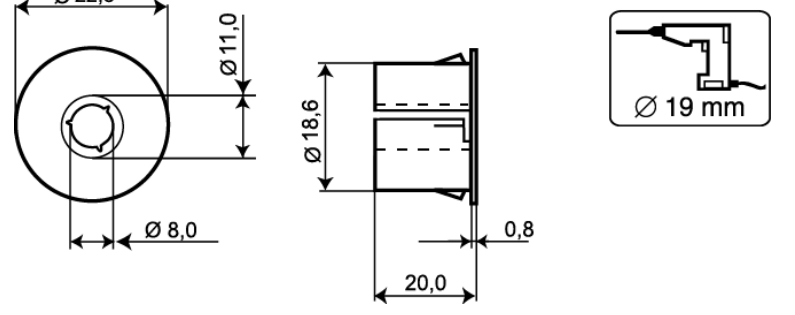

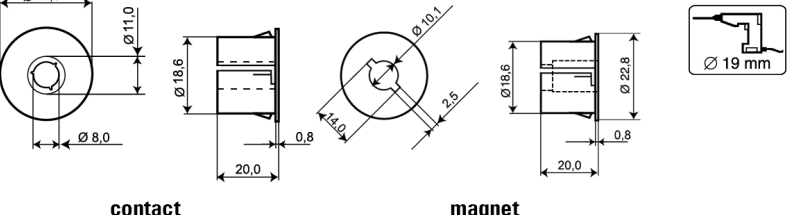

## ORDERING INFORMATION

MC 340-5BL	Recessed magnetic contact, NC, 5 m cable, black
MC 340-10BL	Recessed magnetic contact, NC, 10 m cable, black
MC 340-CBL	Recessed contact without magnet, NC, 5 m cable, black

Related products and accessories

	<p><b>MC 300-S1</b></p> <p>Plastic flanges for MC 340, 346, 347, 370</p>	
	<p><b>MC 300-S3</b></p> <p>Plastic Housing for MC 340, 346, 347</p>	
	<p><b>MC 300-S11</b></p> <p>Plastic Flange for MC 340, 346, 347 and 370</p>	
	<p><b>MC 300-S12</b></p> <p>Plastic Flange with Strong Magnet for MC 340, 346, 347</p>	
	<p><b>MC 300-S21</b></p> <p>Plastic Snap-in Flange for MC 340, 346, 347, 370</p>	

Related products and accessories

	<p><b>MC 300-S22</b></p> <p>Snap-in Flange with Strong Magnet for MC 340, 346, 347</p>	 <p style="text-align: center;"><b>contact</b> <span style="margin-left: 200px;"><b>magnet</b></span></p>
	<p><b>MC 300-S31</b></p> <p>Plastic Snap-in Flange for MC 340, 346, 347, 370</p>	 <p style="text-align: center;"><b>contact</b> <span style="margin-left: 200px;"><b>magnet</b></span></p>
	<p><b>MC 300-S32</b></p> <p>Snap-in Flange with Strong Magnet for MC 340, 346, 347</p>	 <p style="text-align: center;"><b>contact</b> <span style="margin-left: 200px;"><b>magnet</b></span></p>
	<p><b>MC 300-S35</b></p> <p>Plastic Housing for MC 340, 346, 347</p>	