

MC 200-S31

Plastic Snap-in Flange for MC 240, 246, 247, 250, 255, 270, 272, 275

Technical data

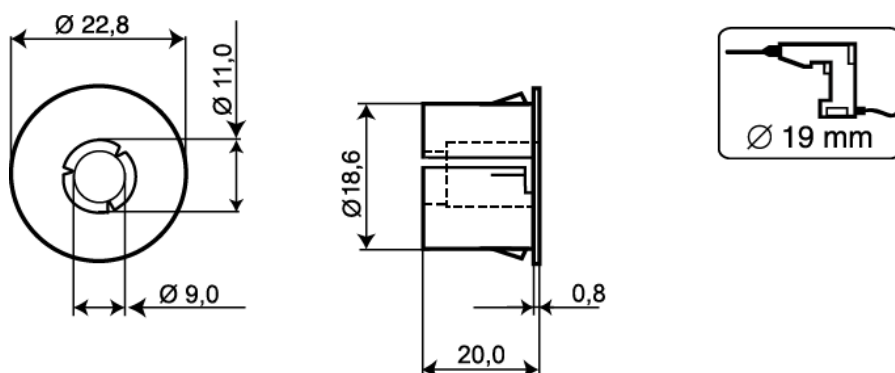
Installation method	Recessed mounting
Drill diameter mm	19
Housing material	ABS Plastic
Colour	White
Dimensions (L x Ø) mm	20 x 23



Plastic adapter for installation of recessed magnetic contacts into non-magnetic door and window frames.

Suitable for MC 240, 246, 247, 250, 255, 270, 272 and 275. Contact and magnet are screwed into the flange, which allows for adjustment of the operation gap.

With snap-in function for two different thickness dimensions, 1 and 1.5 mm.



ORDERING INFORMATION

Typ	E-nr	Beskrivning
MC 200-S31	6332748	Plastadapter för infällnad, snap-in