

# MC 270-S45 with built-in resistors

## High Security Contact, NC, with built-in resistors

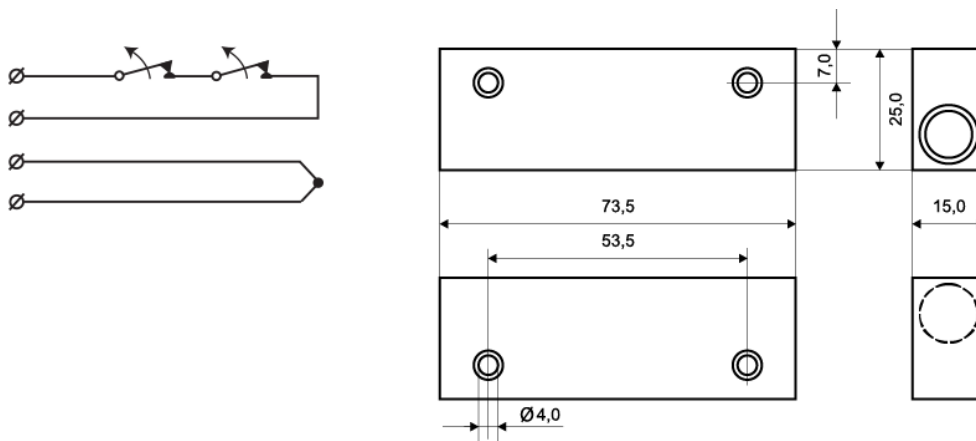


### Technical data

Installation method	Surface mount
Contact function	Normally Closed (NC)
Approvals	EN 50131-2-6 Grade 3, Class IIIA, VdS G 116029 Class C, SBSC 9-205, Class 3/4, F&P, NBU CZ Typ 3, NBU SK Typ 3, INCERT B-582-1003
Contact rating	48 VDC / 500 mA / 10 VA
Magnet type	Alnico 5
Mounting on steel	Only with accessories
Make distance (wood) mm	34
Sabotage distance (wood) mm	20
Make distance (steel) mm	x
Tamper protection	Yes
Connection	Cable
Housing material	Aluminium
Operating temperature range	-40°C - +70°C
Housing protection class	IP 67
Contact dimensions (L x W x H) mm	74 x 25 x 15
Magnet dimensions (L x W x H) mm	74 x 25 x 15
Normal operation	12 VDC
Grade	3




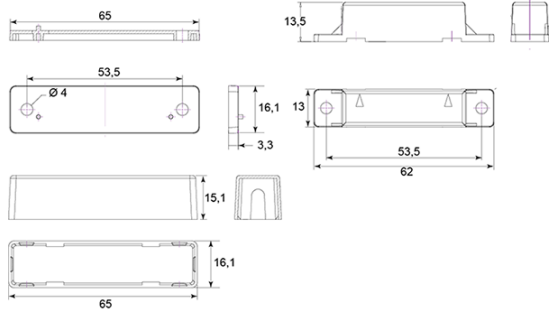


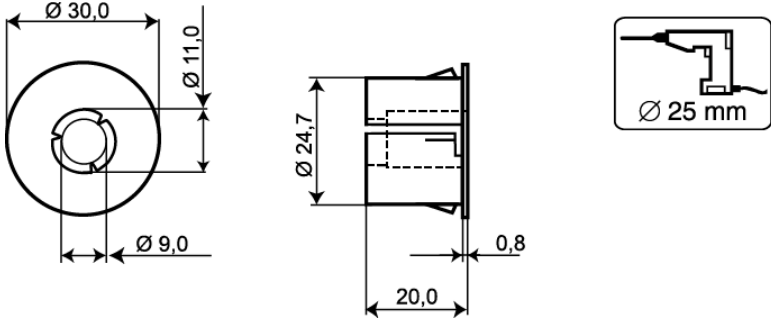

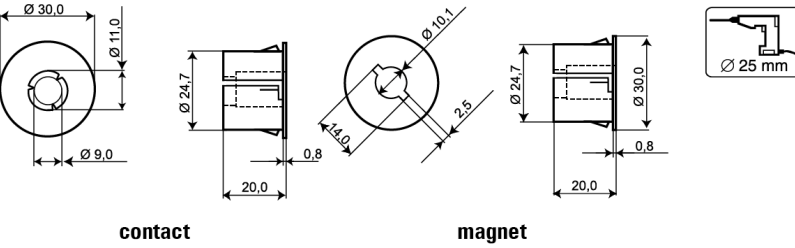
The MC 270-S45 set is intended for use in exposed environments where a more durable high security contact is needed, such as doors, gates, etc. The set consists of a contact part with NC contact function installed in MC 200-4 Al housing and an extra strong magnet in MC 200-5 Al housing, which allows for a wide opening gap. MC 270-S45 set contains a 1 m long stainless steel Flexi-tube protection (MC T4). Contact and magnet are paired. To ensure proper functionality, do not replace the contact or magnet alone.




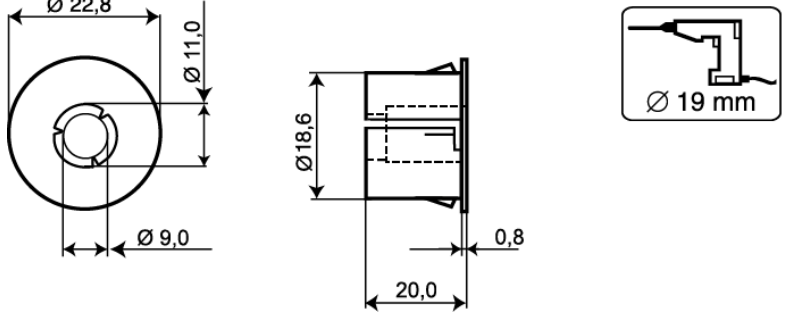

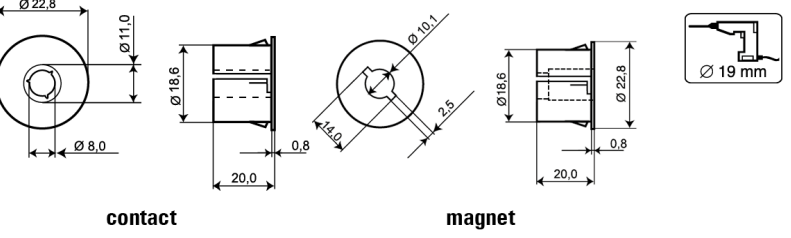

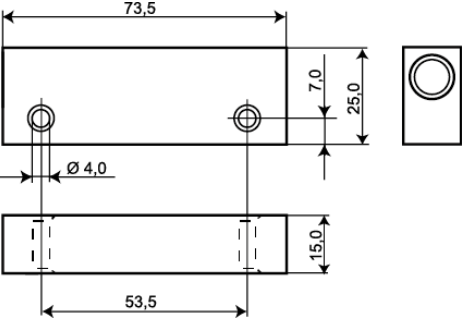

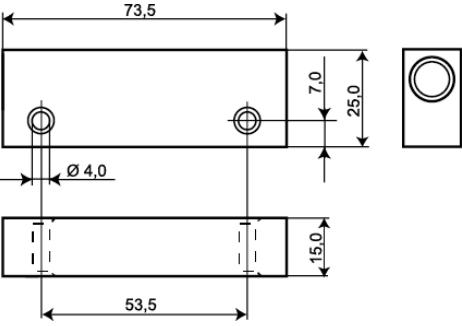
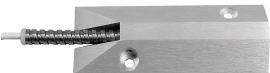
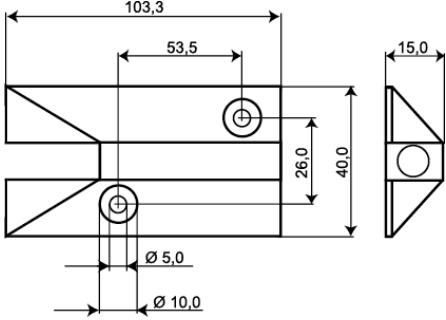
### ORDERING INFORMATION

MC 270-P3K3S3K3-S45-6	High security contact set, NC, 2x3,3K resistors in series and parallel with the reed switch, 6m cable
MC 270-P4K7S4K7-S45-6	High security contact set, NC, 2x4,7K resistors in series and parallel with the reed switch, 6m cable
MC 270-P5K6S5K6-S45-6	High security contact set, NC, 2x5,6K resistors in series and parallel with the reed switch, 6m cable


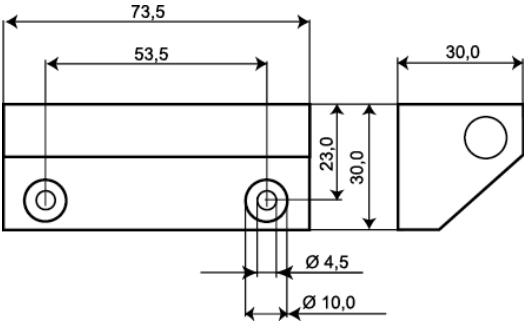
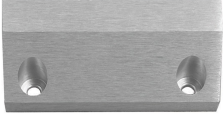
Related products and accessories

	<p><b>MC 200-S3</b></p> <p>Plastic Housing for MC 240, 246 and 247</p>	
	<p><b>MC 200-S11</b></p> <p>Plastic Flange for MC 240, 246, 247, 250, 255, 270, 272, 275</p>	
	<p><b>MC 200-S21</b></p> <p>Plastic Snap-in Flange for MC 240, 246, 247, 250, 255, 270, 272, 275</p>	
	<p><b>MC 200-S22</b></p> <p>Snap-in Flange with Strong Magnet for MC 240, 246, 247 and 255</p>	 <p style="text-align: center;"><b>contact</b>                      <b>magnet</b></p>

**Related products and accessories**

	<p><b>MC 200-S31</b></p> <p>Plastic Snap-in Flange for MC 240, 246, 247, 250, 255, 270, 272, 275</p>	
	<p><b>MC 200-S32</b></p> <p>Snap-in Flange with Strong Magnet for MC 240, 246, 247, 255</p>	
	<p><b>MC 200-4</b></p> <p>Aluminium Housing for MC 240, 246 and 247</p>	
	<p><b>MC 200-5</b></p> <p>Aluminium Part with Extra Strong Magnet for MC 240, 246 and 247</p>	
	<p><b>MC 200-6</b></p> <p>Aluminium Housing for Floor Installation for MC 240, 246 and 247</p>	

## Related products and accessories

	<p><b>MC 200-7</b> Aluminium Housing for MC 240, 246 and 247</p>	
	<p><b>MC 200-8</b> Aluminium Part with Extra Strong Magnet for MC 240, 246 and 247</p>	