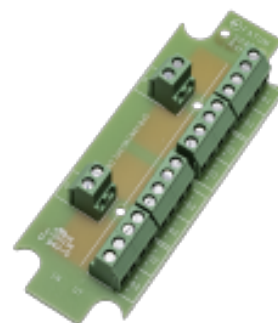


3043

Distribution module for power distribution with up to 60 V/ 20 A for cables up to 4,0 mm², 2 pair IN > 8 pair Out

Technical data

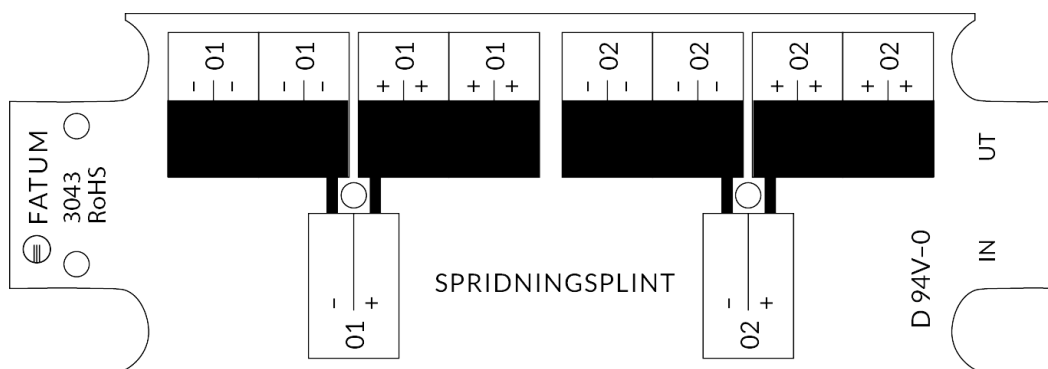
Cable dimension - screw terminals	0,2-4,0 mm ²
Input max. load	60 V / 20 A
Anti-tamper protection	No
Dimensions (L x W)	116 x 40



Distribution module for power distribution 2>8 pair

Distribution module for thicker cables with a supply current of 60 V/ 20 A per incoming pair of conductors which are connected in parallel with 8 separate connection terminals for outgoing distribution cables. 2 pair IN and 8 pair OUT.


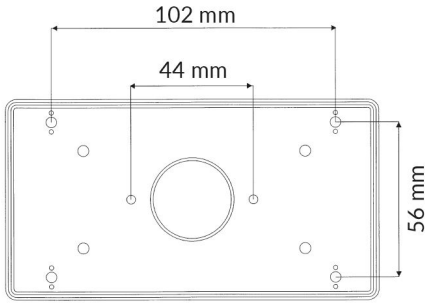

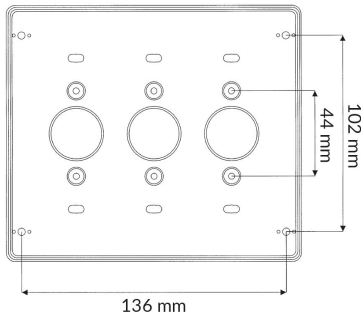
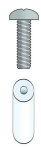
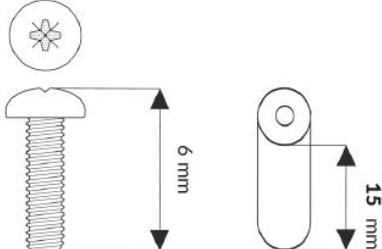
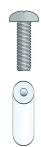
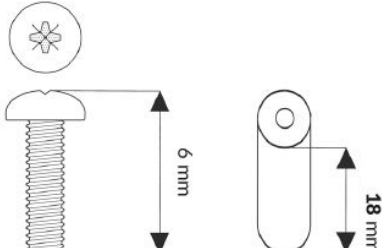

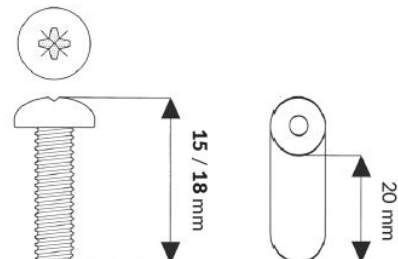
Up to 4.0mm² screw connection with lift function for thicker cables to be used in security systems, CCTV and access control systems. The distribution module can be mounted in Fatum's modular program of plastic boxes as well as in the module series of metal boxes. Also suitable for mounting on top of PSV power supply modules.



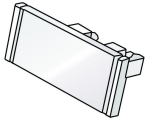
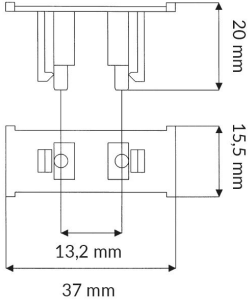

ORDERING INFORMATION

Model	Description
3043	Distribution module for power distribution, 60V / 20 A, 4,0mm ² terminals, screw connection

Related products and accessories

	<p>4101</p> <p>MODULE BOX PLASTIC WITH PLACE FOR 1 TERMINAL BLOCK</p>	
	<p>4103</p> <p>MODULE BOX PLASTIC WITH PLACE FOR UP TO 3 TERMINAL BLOCKS</p>	
	<p>2591.15</p> <p>TERMINAL SPACERS FOR MOUNTING OF OUR TERMINAL BLOCKS</p>	
	<p>2591.18</p> <p>TERMINAL SPACERS FOR MOUNTING OF OUR TERMINAL BLOCKS</p>	
	<p>2596.04</p> <p>TERMINAL SPACERS AS A COMPLEMENT TO ESMI- AND ERICSSON-BAR</p>	

Related products and accessories

	<p>3131.01</p> <p>LABEL TERMINAL FOR EASY LABELING OF MODULE BLOCKS</p>	
	<p>0501.01</p> <p>LSA TOOL FOR KRONE LSA PLUS CONTACTS</p>	