

MC 200-S11

Plastic Flange

for MC 240, 246, 247, 250, 255, 270, 272, 275

Technical data

Installation method	Recessed mounting
Drill diameter mm	19
Housing material	ABS Plastic
Colour	White
Dimensions (L x W x H) mm	46 x 30 x 15


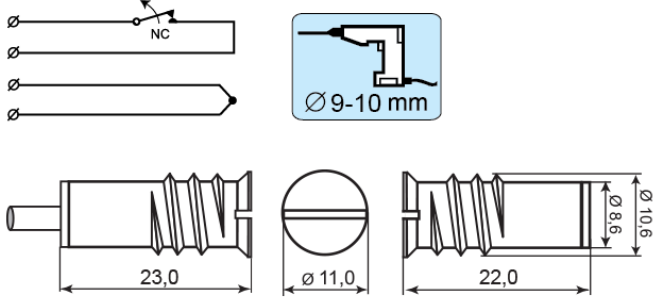


Plastic flange for installation of recessed magnetic contacts into non-magnetic door and window frames with screws.

Suitable for MC 240, 246, 247, 250, 255, 270, 272 and 275

Contact and magnet are screwed into the adapter, which allows for adjustment of the operation gap.

Related products and accessories

	<p>MC 255</p> <p>Magnetic Contact with Rotating Screw, NC</p>	
---	--	--