

## MC 200-S3

## Plastic Housing for MC 240, 246 and 247

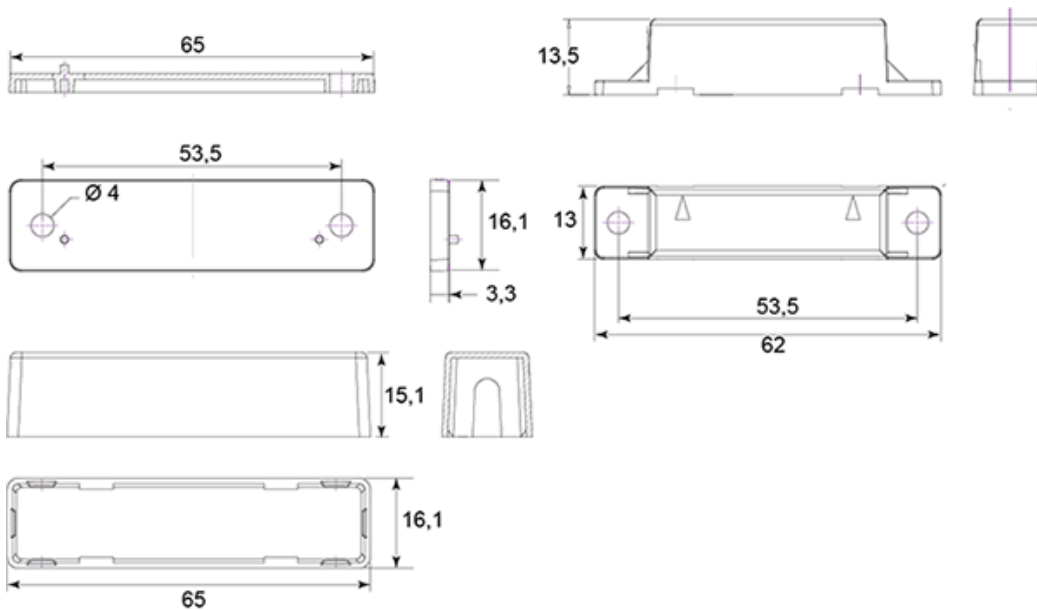
### Technical data

Installation method	Surface mount
Housing material	ABS Plastic
Colour	White
Dimensions (L x W x H) mm	65 x 16 x 18,5



Plastic housing for surface mount installation of MC 240, 246 and 247.

Includes pocket, housing and a 3mm plastic spacing for both the contact and magnet part.



### ORDERING INFORMATION

Model	Description
MC 200-S3	Plastic housing for surface mount installation