

MC 272

High Security Contact, NC/NO

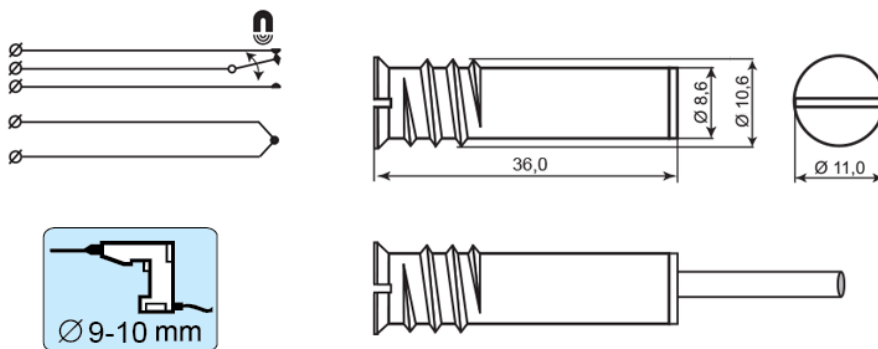


Technical data

| | |
|-------------------------------|---|
| Installation method | Recessed mounting |
| Contact function | Change-over (NC/NO) |
| Approvals | SBSC 9-206, Class 3/4, NF&A2P, CNPP 2134030001D0, GRADE 3 + RTC |
| Contact rating | 48 VDC / 250 mA / 5 VA |
| Drill diameter mm | 9-10 |
| Magnet type | Alnico 5 |
| Mounting on steel | Only with accessories |
| Make distance (wood) mm | 20 |
| Sabotage distance (wood) mm | 2 |
| Make distance (steel) mm | X |
| Sabotage distance (steel) mm | X |
| Tamper protection | Yes |
| Connection | Cable |
| Housing material | Metal |
| Operating temperature range | -40°C - +70°C |
| Housing protection class | IP 67 |
| Contact dimensions (L x Ø) mm | 37 x 11 |
| Magnet dimensions (L x Ø) mm | 37 x 11 |
| Grade | 3 |



MC 272 is a universal magnetic contact with a change-over (NC/NO) function for high security systems that can be used both in alarm and access control systems for monitoring e.g. doors and windows against unauthorized opening. The contact is specially designed for use in banks, museums, art galleries, stores, etc. Both the contact and the magnet part are of Al-alloy and formed in the shape of a threaded screw, which enables easy installation into wood or plastic. With our extensive range of installation accessories it is easy to install the contact recessed on metal and other materials. Contact and magnet are paired. To ensure proper functionality, do not replace the contact or magnet alone.



ORDERING INFORMATION

| Model | Description |
|-----------|---|
| MC 272 | Recessed high security contact, NC/NO, 2 m cable |
| MC 272-6 | Recessed high security contact, NC/NO, 6 m cable |
| MC 272-10 | Recessed high security contact, NC/NO, 10 m cable |

Related products and accessories**MC 200-S11**

Plastic Flange
for MC 240, 246,
247, 250, 255, 270,
272, 275