

## MC 270-S68

## High Security Magnetic Contact for Floor Mounting

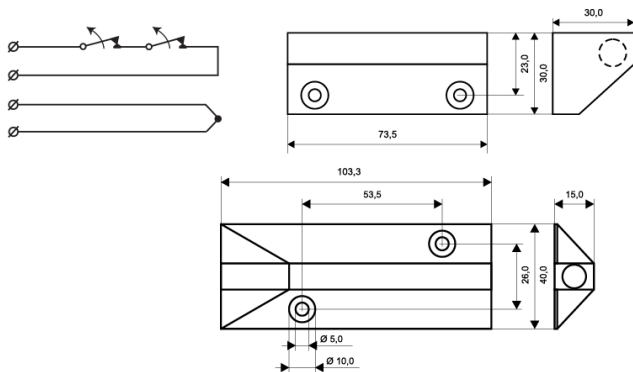


## Technical data

Installation method	Surface mount
Contact function	Normally Closed (NC)
Approvals	EN 50131-2-6 Grade 3, Class IIIA, VdS G 116030 Class C, SBSC 9-205, Class 3, F&P Danmark, NBÚ CZ Typ 3, NBÚ SK Typ 3, INCERT B-582-1003
Contact rating	48 VDC / 500 mA / 10 VA
Mounting on steel	Possible without accessories
Make distance (wood) mm	36
Sabotage distance (wood) mm	20
Make distance (steel) mm	30
Sabotage distance (steel) mm	17
Tamper protection	Yes
Connection	Cable
Housing material	Aluminium
Operating temperature range	-40°C - +70°C
Housing protection class	IP 67
Contact dimensions (L x W x H) mm	104 x 40 x 15
Magnet dimensions (L x W x H) mm	74 x 30 x 30
Grade	3



The MC 270-S68 set is intended for exposed environments where a more durable high security contact is needed, such as garage doors, industrial gates of folding or overhead type, etc. The set consists of MC 270-C contact with NC contact function installed in MC 200-6 Al housing and an extra strong magnet in MC 200-8 Al housing, which allows for a wide opening gap. The part to be installed to the floor can bear the weight of a vehicle. MC 270-S68 set contains a 1 m long stainless steel Flexi-tube protection (MC T4). Contact and magnet are paired. To ensure proper functionality, do not replace the contact or magnet alone. With appropriate accessories, the contact can even be installed in steel doors, safety valves, garage doors, etc. The contact part is sealed with special epoxy, making it water resistant.



## ORDERING INFORMATION

Model	Description
MC 270-S68	High security contact set, NC, 6 m cable