

# CD 475

## Shock Sensor



### Technical data

Approvals	(together with analyser unit IU 400): EN 50131-2-8 Grade 3, SBSC Klass 3, VdS G 121501 Class B
Alarm output	Transistor
Alarm indication	LED, DAY/NIGHT controlled
Alarm hold time	Latching
Operating temperature range	-40°C to +55°C
Housing material, Colour	White ABS plastic
Housing protection class	IP 42
Dimensions (L x W x H) mm	80 x 23 x 20 mm
Grade	3



CD 475 offers reliable monitoring against attacks with mechanical tools. The CD 475 is a chock- and vibration sensor with 3 separate detection channels: an integration channel / saw channel for weak signals with long duration, a counting channel that senses strong impact on the monitored surface and an explosion channel which senses very strong signals from e.g. an explosion.

CD 475 shares the design with CD 470 but must be connected to analyzer IU 400 for alarm indication since it lacks built-in relay outputs. In the event of an alarm, the power consumption in the detector increases, this is detected by the analyzer IU400 which will indicate the different alarms.

CD 475 polarity independent, just like CD 470.

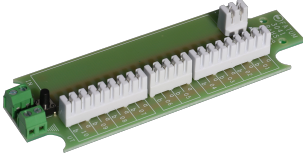
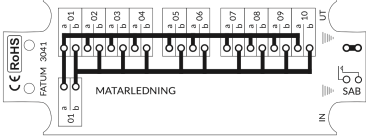

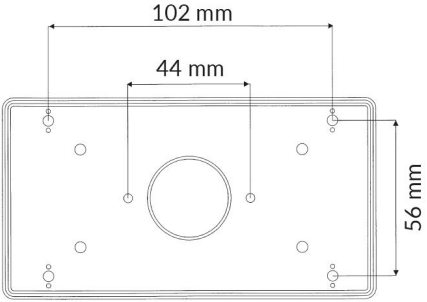

### FEATURES

- EN Grade 3 approved vibration sensor
- Two wire polarity independent for easy connection
- 3 separate detection channels
- Cover radius up to 3m
- Resistant to interference
- Detailed sensitivity setting
- Suitable for 24 hour monitoring
- Low power consumption
- DAY and NIGHT control of LED

### ORDERING INFORMATION

Model	Description
CD 475	Shock and vibration detector
CD 475-BL	Shock and vibration detector, black

Related products and accessories

	<p><b>3041</b> DISTRIBUTION MODULE 1 &gt; 10 PAIR</p>	
	<p><b>4101</b> MODULE BOX PLASTIC WITH PLACE FOR 1 TERMINAL BLOCK</p>	
	<p><b>MP 550</b> Mounting Plate for CD 550, CD 470, CD 475</p>	