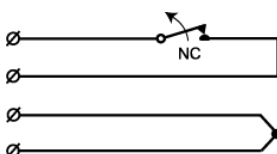
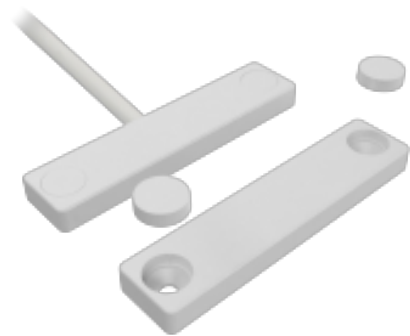


MC 740-E

Magnetic Contact
Surface mount, NC

Technical data

Installation method	Surface mount
Contact function	Normally Closed (NC)
Approvals	EN 50131-2-6 Grade 2, Class IIIA, INCERT B-582-1003, VdS G 116504, Class B, SBSC 9-216, Class 2, F&P, FG, NF&A2P, CNPP 2124030004A0, GRADE 2 + RTC
Contact rating	48 VDC / 500 mA / 10 VA
Magnet type	Alnico 5
Mounting on steel	Not recommended
Make distance (wood) mm	37
Make distance (steel) mm	X
Connection	Cable
Housing material	ABS Plastic
Operating temperature range	-40°C - +70°C
Housing protection class	IP 67
Contact dimensions (L x W x H) mm	60 x 14 x 5
Magnet dimensions (L x W x H) mm	60 x 14 x 5
Grade	2

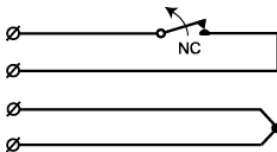


MC 740 is a small and thin magnetic contact with NC function that can be used in both alarm and access control systems for monitoring e.g. doors and windows against unauthorized opening.

Both the contact and the magnet part are in a water proof (IP 67) plastic housing.

The small and thin format makes it especially easy to install in limited spaces, e.g. on shutters and drawers.


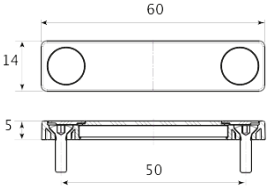

With lid for the screw holes.



ORDERING INFORMATION

Model	Description
MC 740-E	Magnetic contact, surface mount, NC, 2 m cable
MC 740-E-6	Magnetic contact, surface mount, NC, 6 m cable
MC 740-E-10	Magnetic contact, surface mount, NC, 10 m cable
MC 740-E-BL	Magnetic contact, black, surface mount, NC, 2 m cable
MC 740-E-6BL	Magnetic contact, black, surface mount, NC, 6 m cable

Related products and accessories

	<p>MC 700-1PE</p> <p>Plastic spacer for the MC 700</p>	
	<p>MC 700-E-M</p> <p>Spare magnet for MC 700 series</p>	