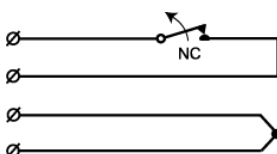
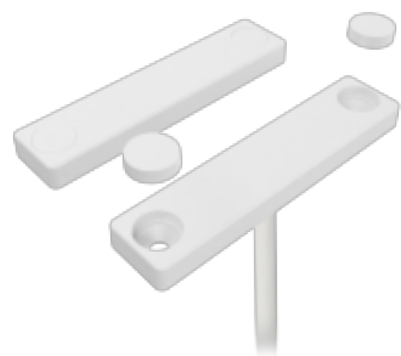


MC 740-PE

Magnetic Contact
Surface mount, NC

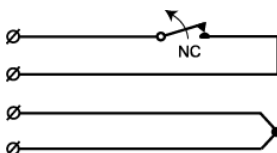
Technical data

| | |
|-----------------------------------|----------------------------------------------------------------------------------------------------------------------------------------------------|
| Installation method | Surface mount |
| Contact function | Normally Closed (NC) |
| Approvals | EN 50131-2-6 Grade 2, Class IIIA, INCERT B-582-1003, VdS G 116504, Class B, SBSC 9-216, Class 2, F&P, FG, NF&A2P, CNPP 2124030004A0, GRADE 2 + RTC |
| Contact rating | 48 VDC / 500 mA / 10 VA |
| Magnet type | Alnico 5 |
| Mounting on steel | Not recommended |
| Make distance (wood) mm | 37 |
| Make distance (steel) mm | X |
| Connection | Cable |
| Housing material | ABS Plastic |
| Operating temperature range | -40°C - +70°C |
| Housing protection class | IP 67 |
| Contact dimensions (L x W x H) mm | 60 x 14 x 5 |
| Magnet dimensions (L x W x H) mm | 60 x 14 x 5 |
| Grade | 2 |



MC 740 is a small and thin magnetic contact with NC function that can be used in both alarm and access control systems for monitoring e.g. doors and windows against unauthorized opening. Both the contact and the magnet part are in a water proof (IP 67) plastic housing. The small and thin format makes it especially easy to install in limited spaces, e.g. on shutters and drawers.


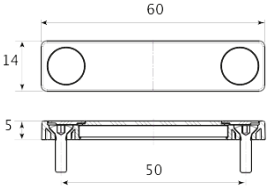

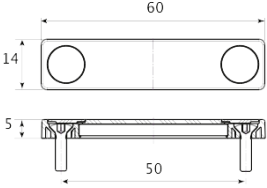
With lid for the screw holes.



ORDERING INFORMATION

| Code | Description |
|---------------|------------------------------------------------------|
| MC 740-PE | Magnetic contact, surface mount NC, 2 m cable |
| MC 740-PE-6 | Magnetic contact, surface mount NC, 6 m cable |
| MC 740-PE-10 | Magnetic contact, surface mount NC, 10 m cable |
| MC 740-PE-BL | Magnetic contact, surface mount NC, black, 2 m cable |
| MC 740-PE-6BL | Magnetic contact, surface mount NC, black, 6 m cable |

Related products and accessories

| | | |
|-----------------------------------------------------------------------------------|----------------------------------------------------------------|------------------------------------------------------------------------------------|
|  | <p>MC 700-1PE</p> <p>Plastic spacer for the MC 700</p> |  |
|  | <p>MC 700-E-M</p> <p>Spare magnet for MC 700 series</p> |  |