

3057

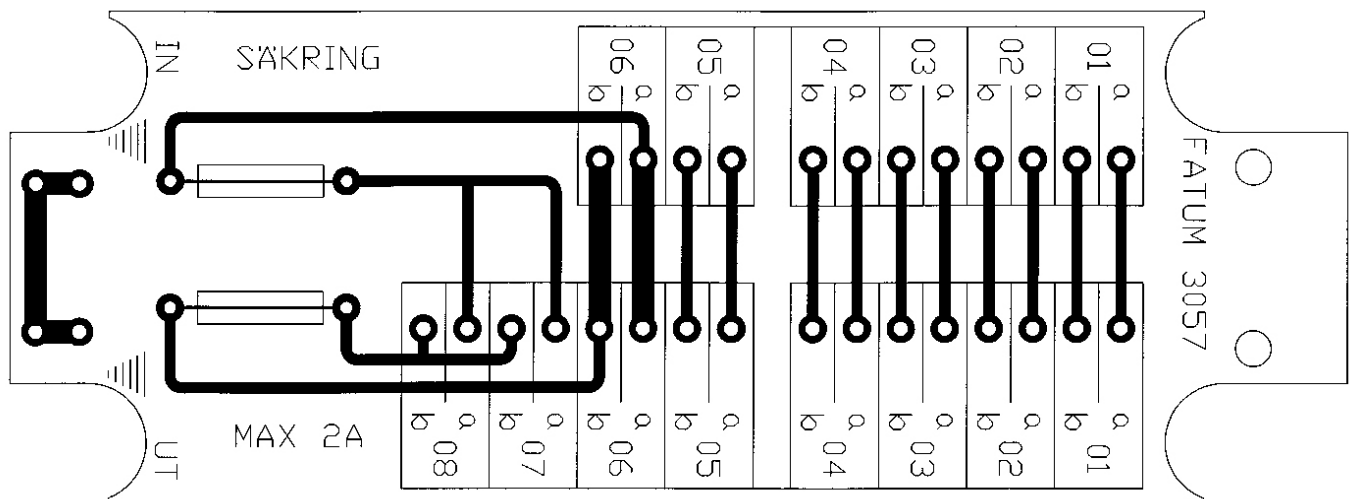
CONNECTION / FUSE MODULE 5 PAIRS

Technical data

Cable dimension - LSA slots (mm)	Ø 0,4 - 0,7
Cable dimension - screw terminals	0,14 - 1 mm ²
Input max. load	60 V / 2 A
Anti-tamper protection	No
Dimensions (L x W)	116 x 40

**Connection / Fuse module for 5 pairs of conductors with fused power supply.**


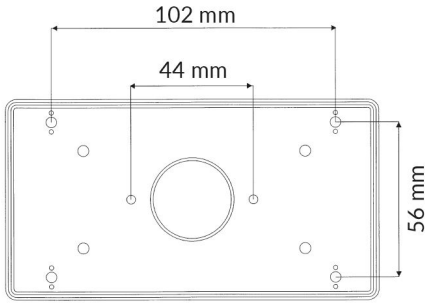

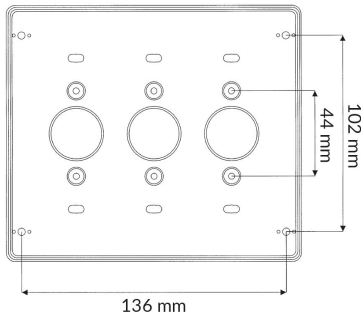
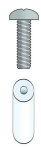
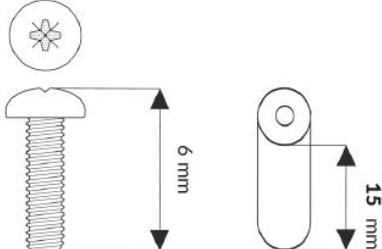
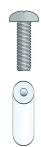
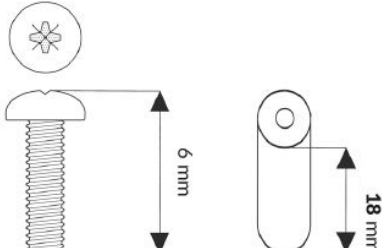

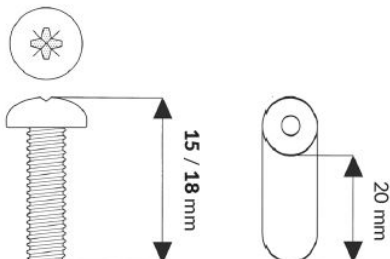
The terminal block has 5 parallel connected terminals, as well as 4 separate connections that are intended for cable shield. Separate power supply fused + and - for outgoing distribution cable. Available in different options, slot (LSA) or screw connection with lift function.



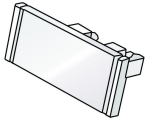
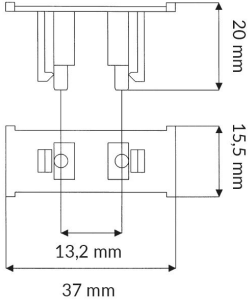

ORDERING INFORMATION

Model	Description
3057.01	Fuse module, 5 Pairs, Fused power supply, LSA / LSA
3057.03	Fuse module, 5 Pairs, Fused power supply, Screw / Screw

Related products and accessories

	<p>4101</p> <p>MODULE BOX PLASTIC WITH PLACE FOR 1 TERMINAL BLOCK</p>	
	<p>4103</p> <p>MODULE BOX PLASTIC WITH PLACE FOR UP TO 3 TERMINAL BLOCKS</p>	
	<p>2591.15</p> <p>TERMINAL SPACERS FOR MOUNTING OF OUR TERMINAL BLOCKS</p>	
	<p>2591.18</p> <p>TERMINAL SPACERS FOR MOUNTING OF OUR TERMINAL BLOCKS</p>	
	<p>2596.04</p> <p>TERMINAL SPACERS AS A COMPLEMENT TO ESMI- AND ERICSSON-BAR</p>	

Related products and accessories

	<p>3131.01</p> <p>LABEL TERMINAL FOR EASY LABELING OF MODULE BLOCKS</p>	
	<p>0501.01</p> <p>LSA TOOL FOR KRONE LSA PLUS CONTACTS</p>	