

MC 250-M14

Magnetic Contact Set with a Strong Ring Magnet, NC



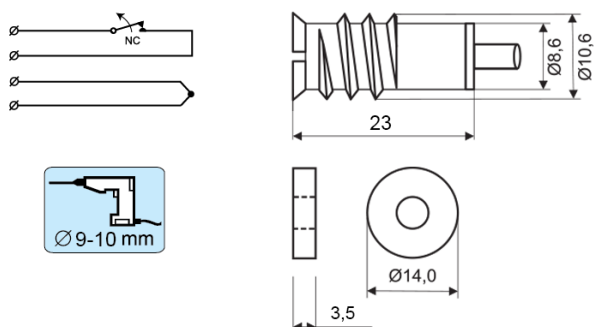
Technical data

Installation method	Recessed mounting
Contact function	Normally Closed (NC)
Approvals	EN 50131-2-6 Grade 2, Class IIIA, VdS G 193514 Class B, INCERT B-582-1003, SBSC 9-199, Class 2, F&P, FG
Contact rating	48 VDC / 500 mA / 10 VA
Drill diameter mm	9-10
Magnet type	Neodymium (NdFeB)
Make distance (wood) mm	19
Make distance (steel) mm	Depending from the accessories used
Tamper protection	Yes
Connection	Cable
Housing material	Al-alloy
Operating temperature range	-40°C - +70°C
Housing protection class	IP 67
Contact dimensions (L x Ø) mm	23 x 11
Magnet dimensions (L x Ø) mm	3 x 14



MC 250-M14 consists of a MC 250 contact part and a strong M14 ring magnet and is designed for installation on windows protected by roller shutters.

It is perfect for installation in limited spaces and the the magnet is easy to install with the help of the enclosed rivet or screw.



ORDERING INFORMATION

Model	Description
MC 250-M14	Recessed magnetic contact, NC, 2 m cable