

MC 247

Magnetic Contact, Recessed mounting, 2xNC

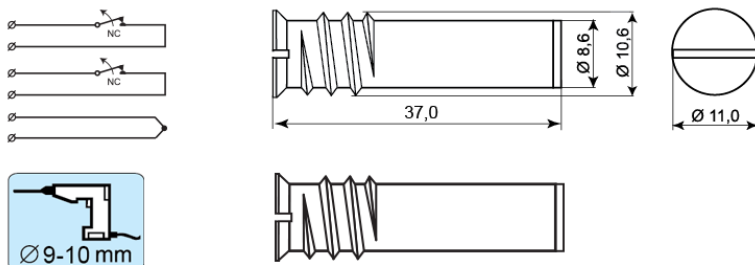


Technical data

Installation method	Recessed mounting
Contact function	Double (2 x) NC
Approvals	EN 50131-2-6 Grade 2, Class IIIA, INCERT B-582-1003, SBSC 9-198, Class 2, NF&A2P, CNPP 2124030001C0, GRADE 2 + RTC
Contact rating	48 VDC / 500 mA / 10 VA
Drill diameter mm	9-10
Magnet type	Alnico 5
Mounting on steel	Only with accessories
Make distance (wood) mm	23
Make distance (steel) mm	X
Tamper protection	Yes
Connection	Cable
Housing material	Metal
Operating temperature range	-40°C - +70°C
Housing protection class	IP 67
Contact dimensions (L x Ø) mm	37 x 11
Magnet dimensions (L x Ø) mm	37 x 11
Grade	2




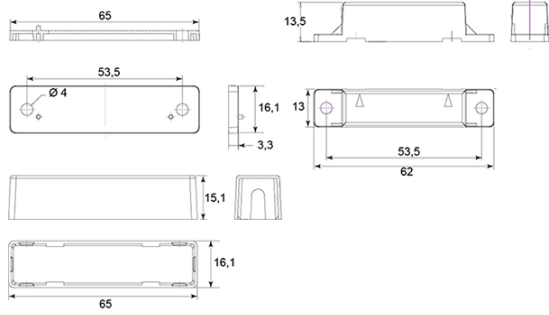


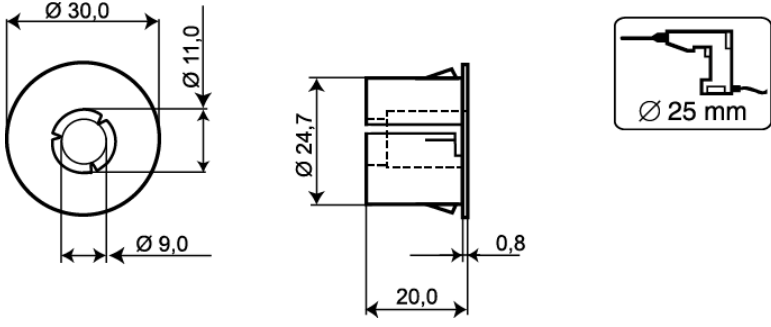

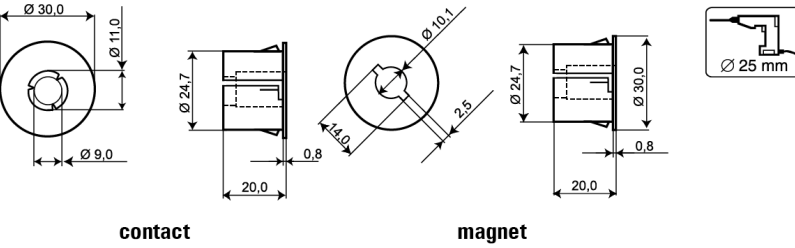
MC 247 is a universal magnetic contact with dual NC function that can be used in both alarm and access control systems for monitoring e.g. doors and windows against unauthorized opening. Both the contact and the magnet part are made of Al-alloy and formed in the shape of a threaded screw, which enables easy installation into wood or plastic. With our extensive range of installation accessories it is easy to install the contact either recessed or as a surface mount on metal and other materials. With appropriate accessories, the contact can even be installed on steel doors, safety valves, garage doors, etc. With our extensive range of installation accessories it is easy to install the contact either recessed or as a surface mount on metal and other materials. With appropriate accessories, the contact can even be installed on steel doors, safety valves, garage doors, etc. The contact part is sealed with special epoxy, making it water resistant.




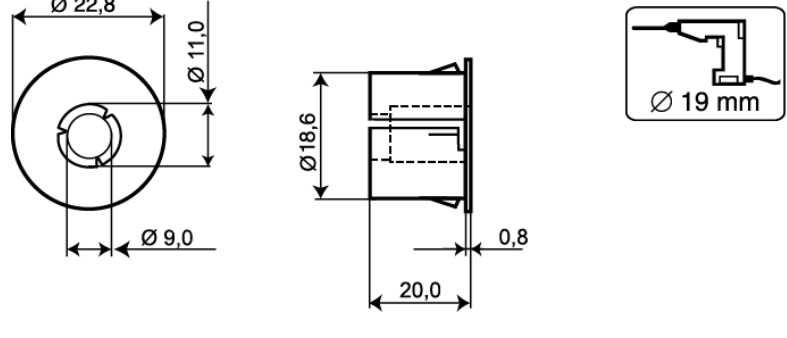

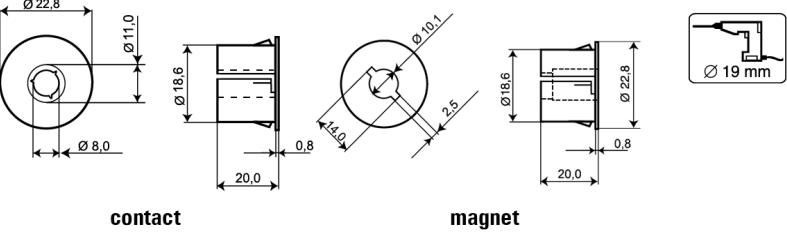

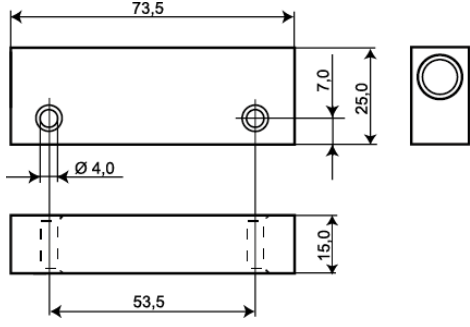

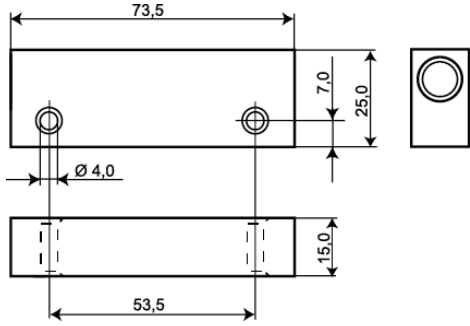
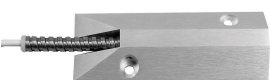
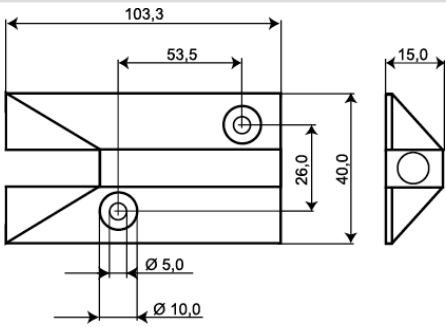
ORDERING INFORMATION

Model	Description
MC 247	Recessed magnetic contact, 2xNC, 2 m cable
MC 247-6	Recessed magnetic contact, 2xNC, 6 m cable
MC 247-10	Recessed magnetic contact, 2xNC, 10 m cable
MC 246-C	Recessed contact part without magnet, 2xNC, 6 m cable


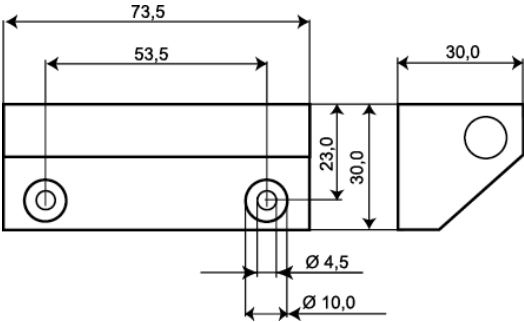
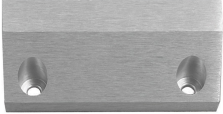
Related products and accessories

	<p>MC 200-S3</p> <p>Plastic Housing for MC 240, 246 and 247</p>	
	<p>MC 200-S11</p> <p>Plastic Flange for MC 240, 246, 247, 250, 255, 270, 272, 275</p>	
	<p>MC 200-S21</p> <p>Plastic Snap-in Flange for MC 240, 246, 247, 250, 255, 270, 272, 275</p>	
	<p>MC 200-S22</p> <p>Snap-in Flange with Strong Magnet for MC 240, 246, 247 and 255</p>	 <p style="text-align: center;">contact magnet</p>

Related products and accessories

	<p>MC 200-S31</p> <p>Plastic Snap-in Flange for MC 240, 246, 247, 250, 255, 270, 272, 275</p>	
	<p>MC 200-S32</p> <p>Snap-in Flange with Strong Magnet for MC 240, 246, 247, 255</p>	
	<p>MC 200-4</p> <p>Aluminium Housing for MC 240, 246 and 247</p>	
	<p>MC 200-5</p> <p>Aluminium Part with Extra Strong Magnet for MC 240, 246 and 247</p>	
	<p>MC 200-6</p> <p>Aluminium Housing for Floor Installation for MC 240, 246 and 247</p>	

Related products and accessories

	<p>MC 200-7 Aluminium Housing for MC 240, 246 and 247</p>	
	<p>MC 200-8 Aluminium Part with Extra Strong Magnet for MC 240, 246 and 247</p>	