

## MC 240-S56

## Magnetic Contact Set in Al Housing

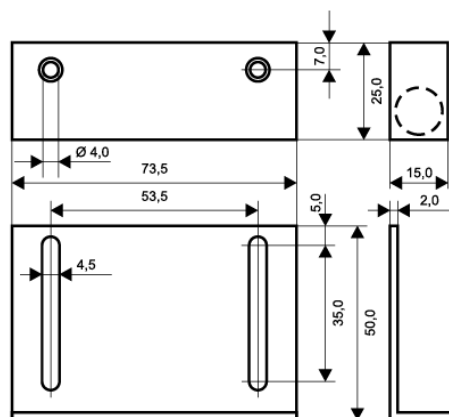
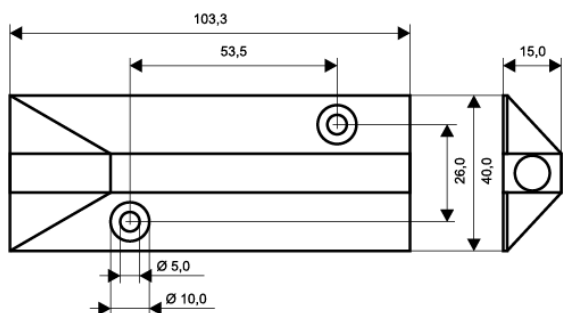
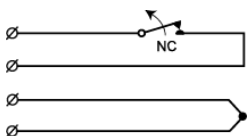


## Technical data

Installation method	Surface mount
Contact function	Normally Closed (NC)
Approvals	EN 50131-2-6 Grade 2, Class IIIA, VdS G 193513 Class B, INCERT B-582-1003, SBSC 9-196, Class 2, NF&A2P
Contact rating	48 VDC / 500 mA / 10 VA
Magnet type	Alnico 5
Make distance (wood) mm	45
Make distance (steel) mm	34
Tamper protection	Yes
Connection	Cable
Housing material	Aluminium
Operating temperature range	-40°C - +70°C
Housing protection class	IP 67
Contact dimensions (L x W x H) mm	104 x 40 x 15
Magnet dimensions (L x W x H) mm	74 x 25 x 15
Grade	2



The MC 240-S56 set is intended for exposed environments where a more durable magnetic contact is needed, such as garage doors, industrial gates of folding or overhead type, etc. The set consists of MC 240-C contact with NC contact function installed in MC 200-6 Al housing and an extra strong magnet in MC 200-5 Al housing, which allows for a wide opening gap. The part to be installed to the floor can bear the weight of a vehicle and the enclosed L-bracket (MC L) enables easy installation and a possibility to adjust the magnet part on the door. MC 240-S56 set has a 1 m long stainless steel Flexi-tube protection (MC T4).



## ORDERING INFORMATION

Model	Description
MC 240-S56	Magnetic contact set, 6 m cable