

8174

FUSE TERMINAL 24 VDC FOR MOUNTING ON DIN RAIL

Technical data

Current consumption	30 mA @24 VDC
Dimensions (L x W x H) mm	116 x 121 x 39
Input max. load	24 V / 10 A
Cable dimension - input	0,2 - 2,5 mm ²
Cable dimension - output	0,14 - 1,5 mm ²
Output max. load	24 V / 2 A



Fuse terminal DIN for installation of alarm and access systems.

Fuse terminal 24 VDC for power distribution, 10A to 5 sections, each fused with 2A. Relay in series with LED for indication of unbroken fuse, applies both + and -.

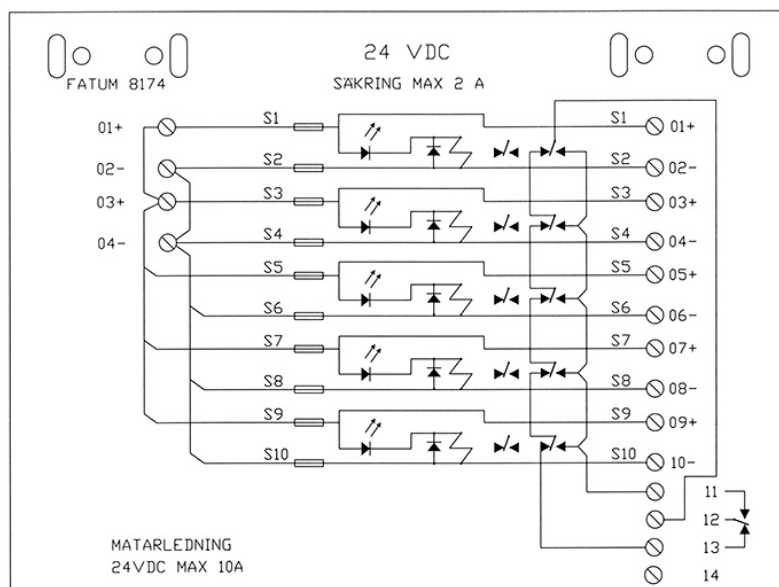
Summary alarm, NC or NO.

Separate terminal for incoming power cord and separate connection terminal for outgoing distribution cables.

2 labels for marking incoming and outgoing cables are mounted on the terminal (labels included).

Fire class according to UL 94 V-0.

The terminal has up to 2.5 mm² screw connection with a lift function for input and 1.5 mm² for output.



ORDERING INFORMATION

Model	Description
8174.03	Fuse terminal, 24 VDC, DIN, screw terminals