

3202.02

MODULE BOX METAL WITH PLACE FOR UP TO 2 TERMINAL BLOCKS

Technical data

Dimensions (L x W x H) mm	128 x 126 x 38
---------------------------	----------------



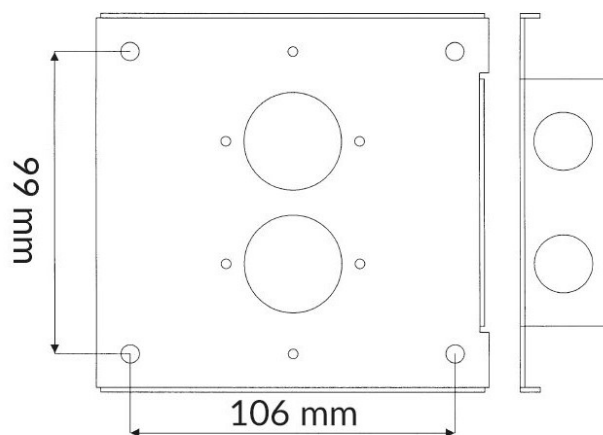
Empty module box for installation of alarm, access and fire systems.

Empty box with white lid with hidden label window.

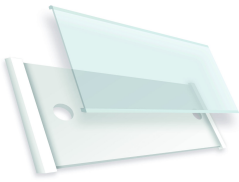
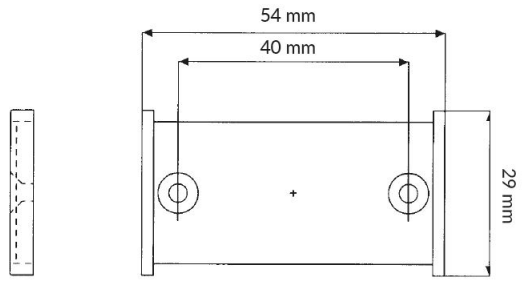
Customized to fit all our terminal blocks eg.

- 1-2 pcs Terminal blocks with dimensions 116x40 mm.
- 1 pcs larger terminal block with dimensions 116x80 mm.

Incl. Spacer pack 12.7 mm (4 spacers, 4 screws and 4 plugs)



Related products and accessories

	<p>3132.01</p> <p>WALL LABEL FOR EASY LABELING</p>	
---	---	--