

4101

MODULE BOX PLASTIC WITH PLACE FOR 1 TERMINAL BLOCK

Technical data

Dimensions (L x W x H) mm 134 x 72 x 50



Empty module box for installation of alarm, access and fire systems.

Empty box in white with visible or hidden label window.

Customized to fit all our terminal blocks eg.

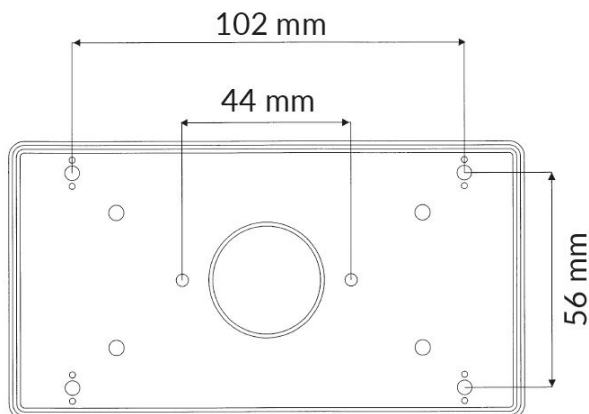
- 1 pcs Terminal block with dimensions 116x40 mm.

Incl. 2 spacers for installation of our terminal blocks.

The box is flame-retardant according to UL 94 V-0.

4101.02: IP 44

4101.03 : IP 4X



ORDERING INFORMATION

Model	Description
4101.02	MODULE BOX PLASTIC WITH PLACE FOR 1 TERMINAL BLOCK; IP44; 1 plint
4101.03	MODULE BOX PLASTIC WITH PLACE FOR 1 TERMINAL BLOCK; IP4X; 1 plint