

3058

## FUSE MODULE 1 IN &gt; 4 OUT

## Technical data

Input max. load	60 V / 2 A
Cable dimension - input	0,14 - 1,5 mm <sup>2</sup>
Cable dimension - output	0,14 - 1 mm <sup>2</sup>
Dimensions (L x W)	116 x 40



## Terminal block for installation of tele and access systems.

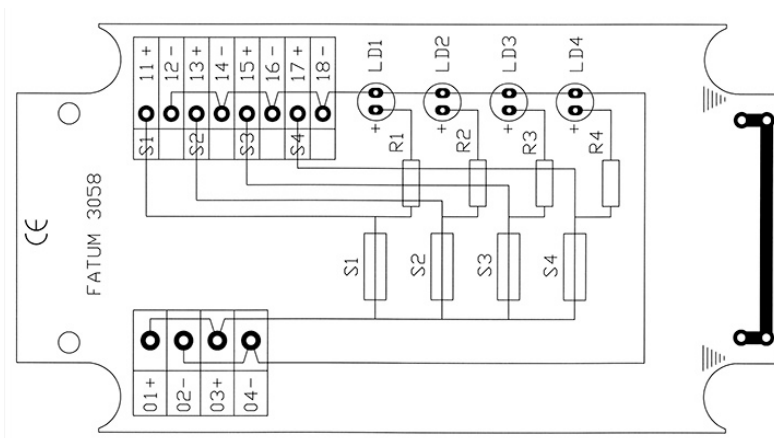
Fuse module, 1 IN > 4 OUT.

Power supply with separate terminal for:

- Incoming cable.
- Outgoing cable.
- Internal fused (+) distribution cables

Separate connections intended for cable shield.

The terminal has screw connection with elevator function.



## ORDERING INFORMATION

Model	Description
3058.03	Fuse module, 1 in > 4 out, Screw terminals