

3067

## RELAY MODULE WITH 4 RELAYS, 12 VDC

## Technical data

Current consumption	22 mA @12 VDC
Cable dimension - LSA slots (mm)	Ø 0,4 - 0,7
Cable dimension - screw terminals	0,14 - 1 mm <sup>2</sup>
Input max. load	60 V / 2 A
Anti-tamper protection	No
Min. relay voltage	9 V
Dimensions (L x W)	116 x 40



## Terminal block for installation of tele and access systems.

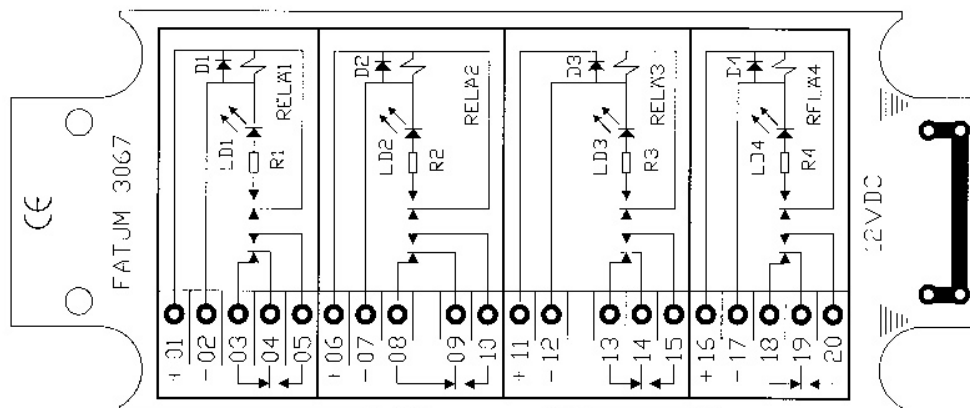
Relay module with 4 relays, 12 VDC.

LED connected in parallel with relay coil. Protection Diode.

4 separate relays with 1 pole SPDT contacts.

4 separate connections intended for cable shield.

Available in different options, slot (LSA) or screw connection with lift function.



## ORDERING INFORMATION

Model	Description
3067.01	Relay module 12 VDC, 4 Relays, LSA
3067.03	Relay module 12 VDC, 4 Relays, Screw