

3066

RELAY MODULE WITH 2 RELAYS, 24 VDC

Technical data

Current consumption	15 mA @24 VDC
Cable dimension - LSA slots (mm)	Ø 0,4 - 0,7
Cable dimension - screw terminals	0,14 - 1 mm ²
Input max. load	60 V / 2 A
Tamper switch max. load	50 mA
Anti-tamper protection	Yes
Min. relay voltage	19,2 V
Dimensions (L x W)	116 x 40



Terminal block for installation of tele and access systems.

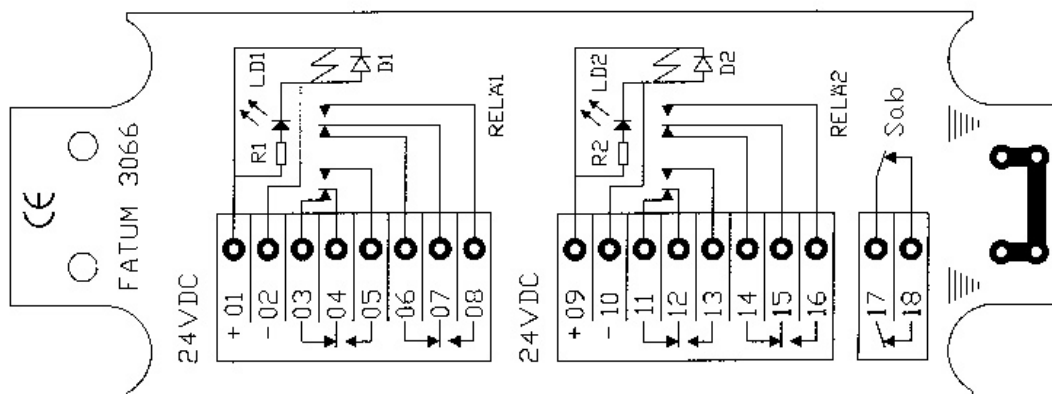
Anti-tampering protected Relay module with 2 relays, 12 VDC.

LED connected in parallel with relay coil. Protection Diode.

2 separate relays with 2 pole SPDT contacts.

4 separate connections, of which 2 connections are intended for anti-tamper switch connection and 2 for cable shield.

Available in different options, slot (LSA) or screw connection with lift function.



ORDERING INFORMATION

Model	Description
3066.01	Relay module 24 VDC, 2 Relays, Tamper protected, LSA
3066.03	Relay module 24 VDC, 2 Relays, Tamper protected, Screw