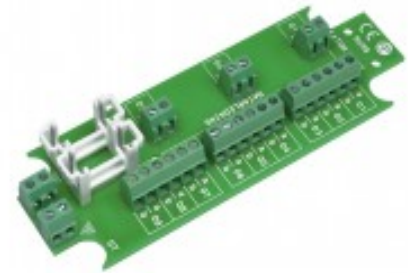


3052

## DISTRIBUTION MODULE 3x 1 &gt; 3 PAIR

## Technical data

Cable dimension - LSA slots (mm)	Ø 0,4 - 0,7
Cable dimension - screw terminals	0,14 - 1 mm <sup>2</sup>
Input max. load	60 V / 2 A
Anti-tamper protection	No
Dimensions (L x W)	116 x 40



## Terminal block for installation of tele and access systems.

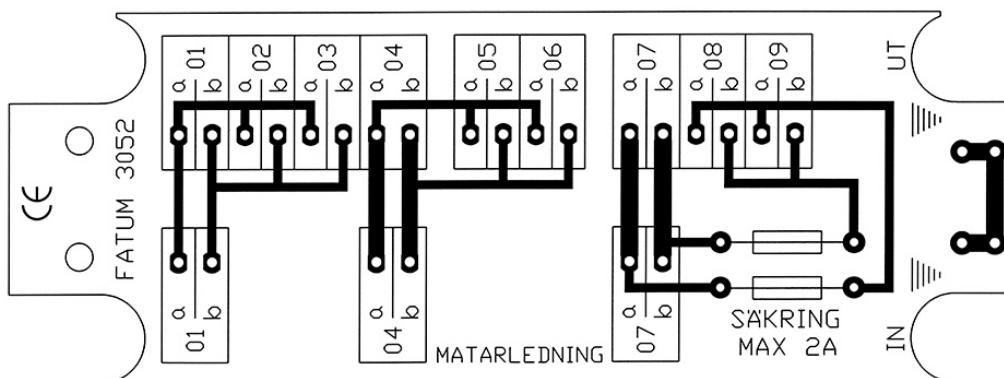
Distribution module 3x1 pair of input cables spread on 3 x 3 pairs out.

Separate terminal block for - 2x inbound power cable, Output power cable & Internal wiring cables.

Power supply with separate terminal block for - Incoming power cable, Output power cable & Internally fused distribution cables.

4 separate connections intended for cable shield.


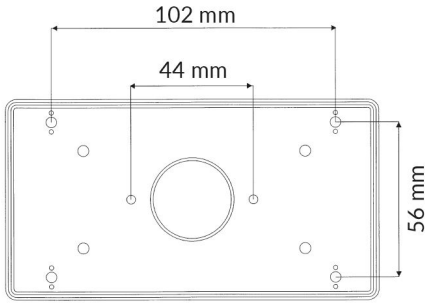

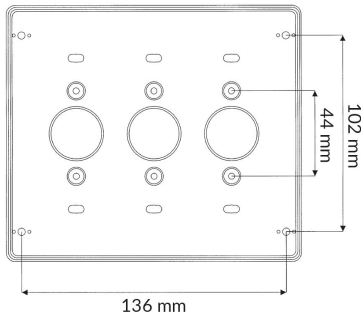
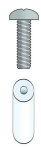
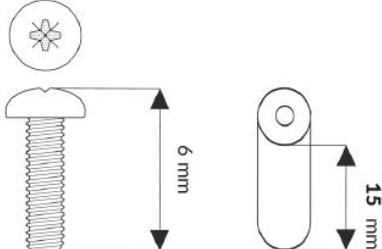
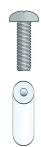
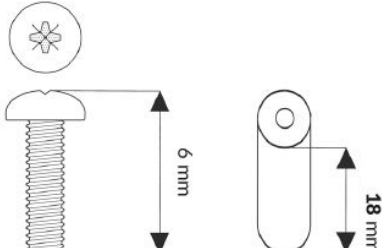

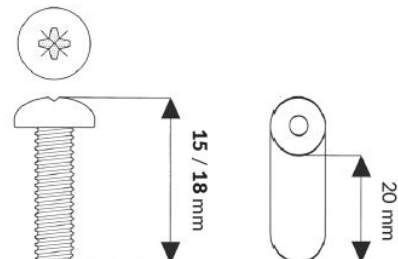
Available in different options, slot (LSA) or screw connection with lift function.



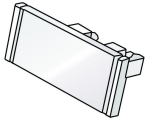
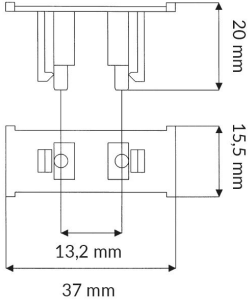

## ORDERING INFORMATION

Model	Description
3052.01	Distribution module 3x 1 > 3 pairs, LSA / LSA
3052.03	Distribution module 3x 1 > 3 pairs, Screw / Screw

**Related products and accessories**

	<p><b>4101</b></p> <p>MODULE BOX PLASTIC WITH PLACE FOR 1 TERMINAL BLOCK</p>	
	<p><b>4103</b></p> <p>MODULE BOX PLASTIC WITH PLACE FOR UP TO 3 TERMINAL BLOCKS</p>	
	<p><b>2591.15</b></p> <p>TERMINAL SPACERS FOR MOUNTING OF OUR TERMINAL BLOCKS</p>	
	<p><b>2591.18</b></p> <p>TERMINAL SPACERS FOR MOUNTING OF OUR TERMINAL BLOCKS</p>	
	<p><b>2596.04</b></p> <p>TERMINAL SPACERS AS A COMPLEMENT TO ESMI- AND ERICSSON-BAR</p>	

## Related products and accessories

	<p><b>3131.01</b></p> <p>LABEL TERMINAL FOR EASY LABELING OF MODULE BLOCKS</p>	
	<p><b>0501.01</b></p> <p>LSA TOOL FOR KRONE LSA PLUS CONTACTS</p>	