

3042

DISTRIBUTION MODULE 2 x 1 > 5 PAR

Technical data

| | |
|-----------------------------------|--------------------------|
| Cable dimension - LSA slots (mm) | Ø 0,4 - 0,7 |
| Cable dimension - screw terminals | 0,14 - 1 mm ² |
| Input max. load | 60 V / 2 A |
| Anti-tamper protection | No |
| Dimensions (L x W) | 116 x 40 |

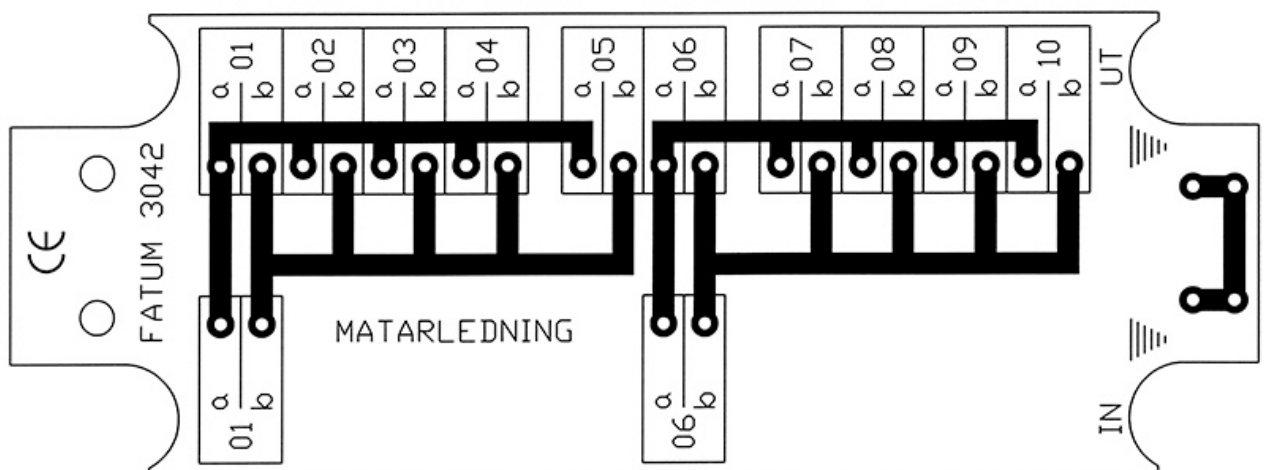


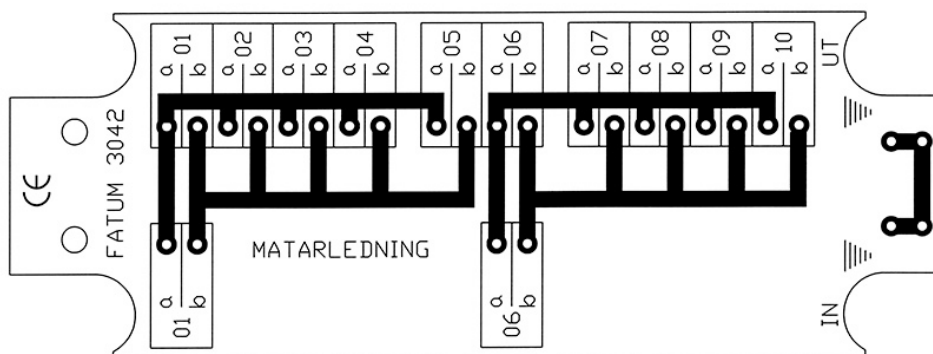
Terminal block for installation of tele and access systems.

Distribution module with 2x 1 > 5 pair.

Distribution module with separate terminals for incoming cable, connected in parallel with separate terminals for outgoing cables. 2 pairs in and 2x5 pairs out, as well as 4 separate connections intended for cable shield.


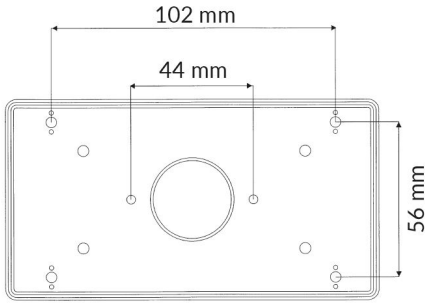

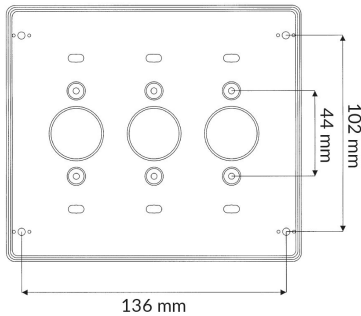

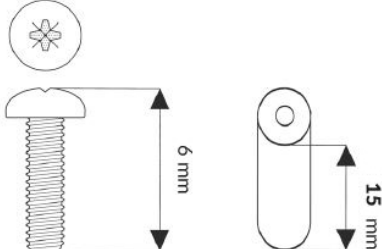

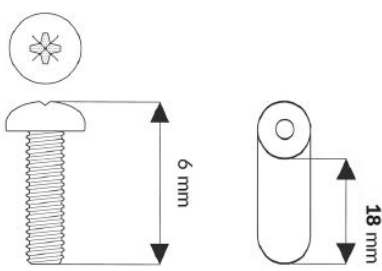

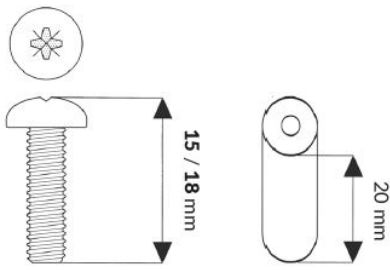
Available in different options, slot (LSA) or screw connection with lift function.



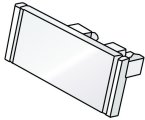
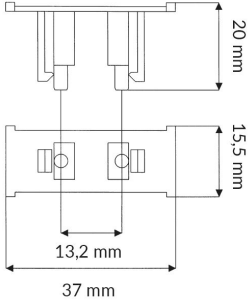

**ORDERING INFORMATION**

| Model | Description |
|---------|---|
| 3042.01 | Distribution module 2x 1 > 5 pairs, LSA / LSA |
| 3042.03 | Distribution module 2x 1 > 5 pairs, Screw / Screw |

Related products and accessories

| | | |
|---|---|--|
|  | <p>4101</p> <p>MODULE BOX PLASTIC WITH PLACE FOR 1 TERMINAL BLOCK</p> |  |
|  | <p>4103</p> <p>MODULE BOX PLASTIC WITH PLACE FOR UP TO 3 TERMINAL BLOCKS</p> |  |
|  | <p>2591.15</p> <p>TERMINAL SPACERS FOR MOUNTING OF OUR TERMINAL BLOCKS</p> |  |
|  | <p>2591.18</p> <p>TERMINAL SPACERS FOR MOUNTING OF OUR TERMINAL BLOCKS</p> |  |
|  | <p>2596.04</p> <p>TERMINAL SPACERS AS A COMPLEMENT TO ESMI- AND ERICSSON-BAR</p> |  |

Related products and accessories

| | | |
|---|--|---|
|  | <p>3131.01</p> <p>LABEL TERMINAL FOR EASY LABELING OF MODULE BLOCKS</p> |  |
|  | <p>0501.01</p> <p>LSA TOOL FOR KRONE LSA PLUS CONTACTS</p> | |