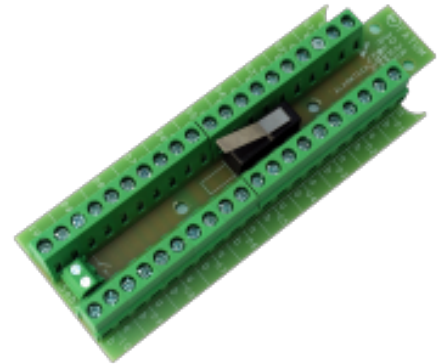


3034

FIRE MODULE 10 PAIRS, Tamper contact

Technical data

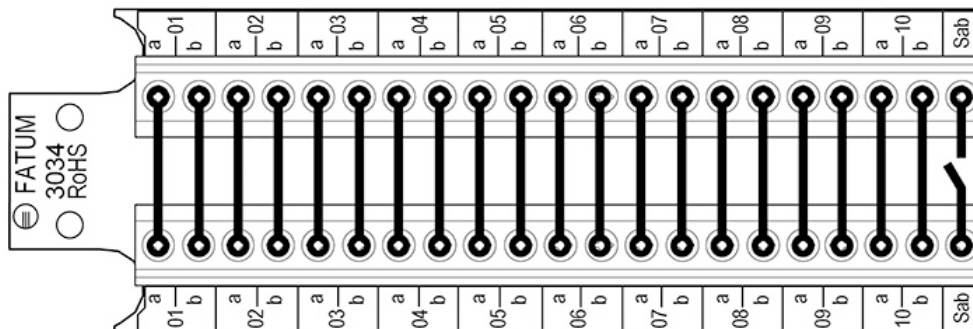
Cable dimension - screw terminals	0,2 - 2,5 mm ²
Input max. load	60 V / 2 A
Tamper switch max. load	50 mA
Anti-tamper protection	Yes
Dimensions (L x W)	116 x 40



Terminal block for installation of alarm, access and fire systems.

Anti-tampering protected terminal module with 10 pairs.


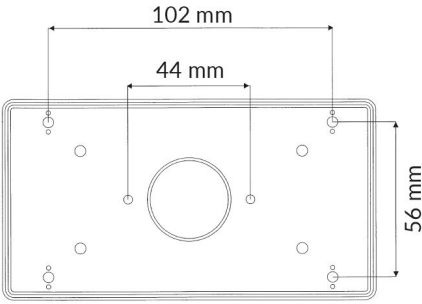

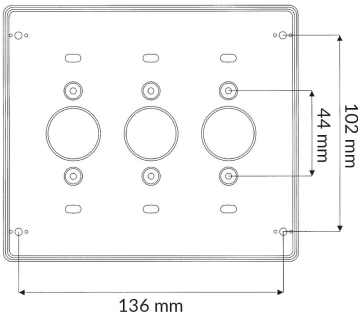

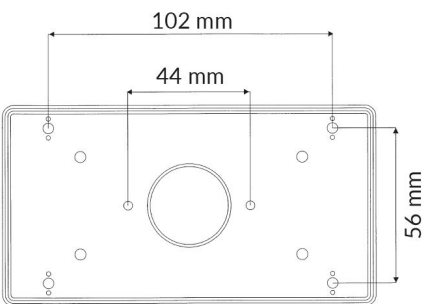

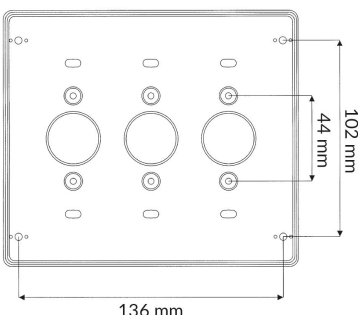
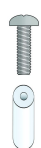
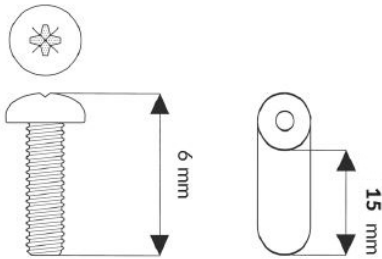
The terminal block has 21 parallel connected terminals and additional 1 pair intended for anti-tamper switch. Up to 2.5 mm² screw connection with lift function for, for example, coarse fire cables.



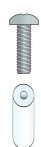
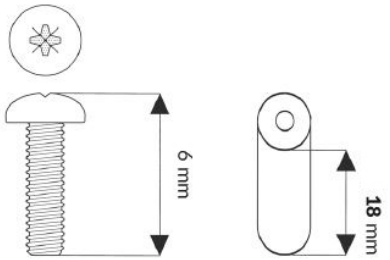

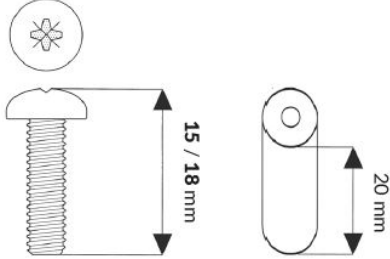
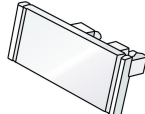
ORDERING INFORMATION

Model	Description
3034.03	Fire module, 21 Pairs, Tamper protected, Screw

Related products and accessories

	<p>4101</p> <p>MODULE BOX PLASTIC WITH PLACE FOR 1 TERMINAL BLOCK</p>	
	<p>4103</p> <p>MODULE BOX PLASTIC WITH PLACE FOR UP TO 3 TERMINAL BLOCKS</p>	
	<p>4101R</p> <p>REDLINE MODUL E BOX, PLASTIC</p>	
	<p>4103R</p> <p>REDLINE MODUL E BOX, PLASTIC IN RED WITH PLACE FOR UP TO 3 TERMINAL BLOCKS</p>	
	<p>2591.15</p> <p>TERMINAL SPACERS FOR MOUNTING OF OUR TERMINAL BLOCKS</p>	

Related products and accessories

	<p>2591.18</p> <p>TERMINAL SPACERS FOR MOUNTING OF OUR TERMINAL BLOCKS</p>	
	<p>2596.04</p> <p>TERMINAL SPACERS AS A COMPLEMENT TO ESMI- AND ERICSSON-BAR</p>	
	<p>3131.01</p> <p>LABEL TERMINAL FOR EASY LABELING OF MODULE BLOCKS</p>	