

4101.3203

DISCONTINUED - Replaced by 3034**FIRE BOX 20 PAIRS****Technical data**

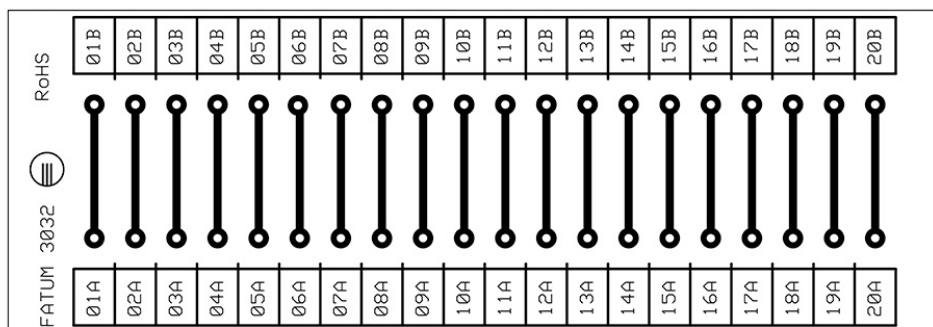
Dimensions (L x W x H) mm	134 x 72 x 50
Cable dimension - screw terminals	0,2 - 2,5 mm ²
Input max. load	60 V / 2 A
Anti-tamper protection	No

**Complete junction box for installation of alarm and access systems.**

Junction box with 20 pairs.

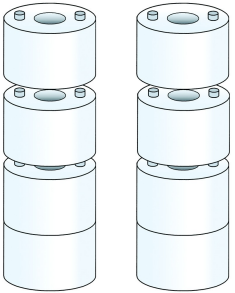
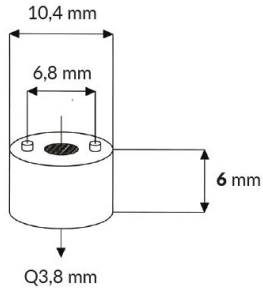
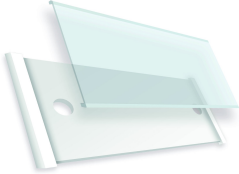
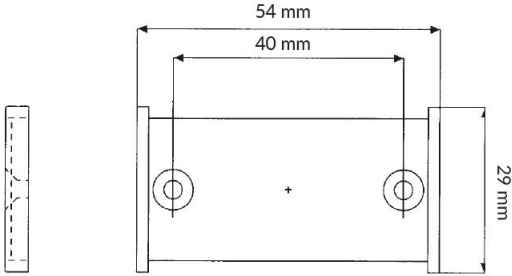
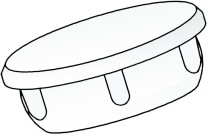
The terminal block has 20 parallel connected terminals and up to 2.5 mm² screw connection with elevator function for, for example, coarser fire cables.

The box is flame-retardant according to UL 94 V-0.

**ORDERING INFORMATION**

Model	Description
4101.3203	Fire box, 120 pairs; Screw 0,2 - 2,5 mm ²

Related products and accessories

	<p>2581.06</p> <p>STACKABLE WALL SPACERS FOR EASY WIRING IN BOX</p>	
	<p>3132.01</p> <p>WALL LABEL FOR EASY LABELING</p>	
	<p>0905.18</p> <p>COVER PLUG TO COVER THE BOX SIDE HOLES</p>	