

28319

RESET BOX "MINI" 12 V

Technical data

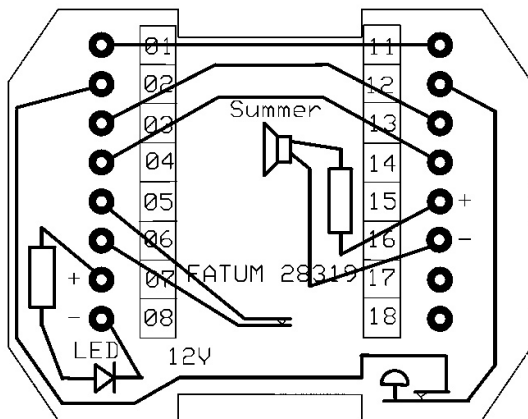
Dimensions (L x W x H) mm	58 x 76 x 27
Cable dimension - screw terminals	0,14 - 1 mm ²
Input max. load	60 V / 2 A
Tamper switch max. load	50 mA
Anti-tamper protection	Yes

**Complete junction box for installation of alarm and access systems.**

Anti-tampering protected reset junction box, with LED display, buzzer and switch which breaks its output when button is pushed, is used, for example, with advantage for resetting relay glass detectors.

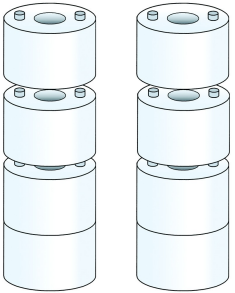
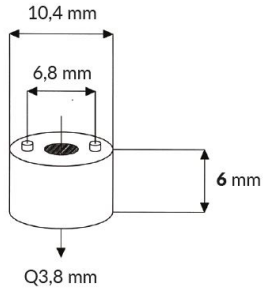
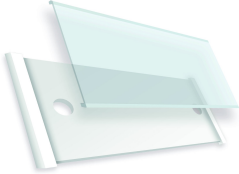
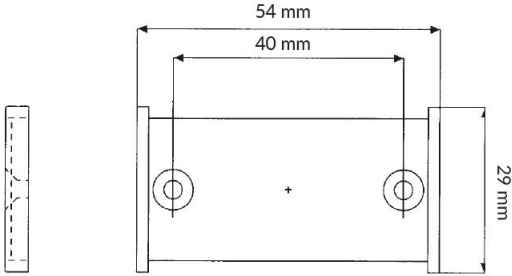

The box is flame-retardant according to UL 94 V-0.

The terminal has screw connection with elevator function.

**ORDERING INFORMATION**

Model	Description
28319.03	Junction Box Mini; RJ 45; Tamper Protected; Screw

Related products and accessories

	<p>2581.06</p> <p>STACKABLE WALL SPACERS FOR EASY WIRING IN BOX</p>	
	<p>3132.01</p> <p>WALL LABEL FOR EASY LABELING</p>	
	<p>1901.12</p> <p>SPARE SPRINGS TO FATUM-SERIES</p>	