

MC 240

Magnetic Contact, Recessed mounting, NC

VdS Klasse B and EN Grade 2 approved

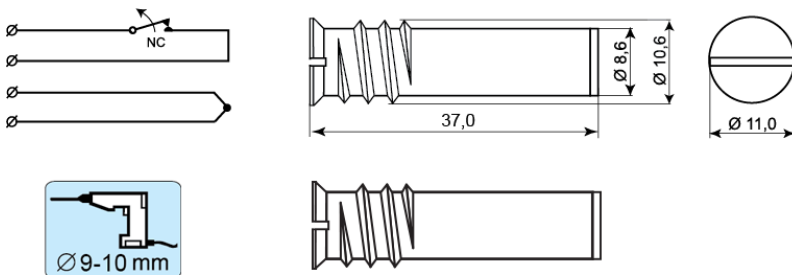


Technical data

Installation method	Recessed mounting
Contact function	Normally Closed (NC)
Approvals	EN 50131-2-6 Grade 2, Class IIIA, VdS G 193513 Class B, INCERT B-582-1003, SBSC 9-196, Class 2, FG, F&P Danmark, NF&A2P, CNPP 2124030001A0, GRADE 2 + RTC
Contact rating	48 VDC / 500 mA / 10 VA
Drill diameter mm	9-10
Magnet type	Alnico 5
Mounting on steel	Only with accessories
Make distance (wood) mm	27
Make distance (steel) mm	Depending from accessories used
Tamper protection	Yes
Connection	Cable
Housing material	Al-alloy
Housing protection class	IP 67
Contact dimensions (L x Ø) mm	37 x 11
Magnet dimensions (L x Ø) mm	37 x 11
Operating temperature	-40 - +70 °C
Grade	2


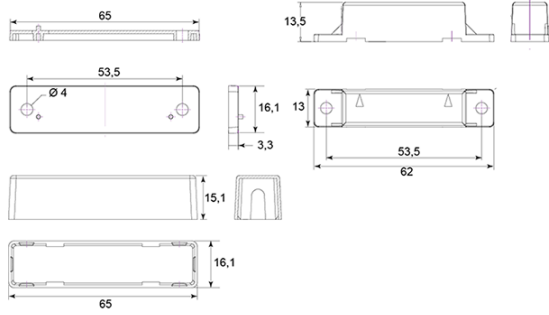


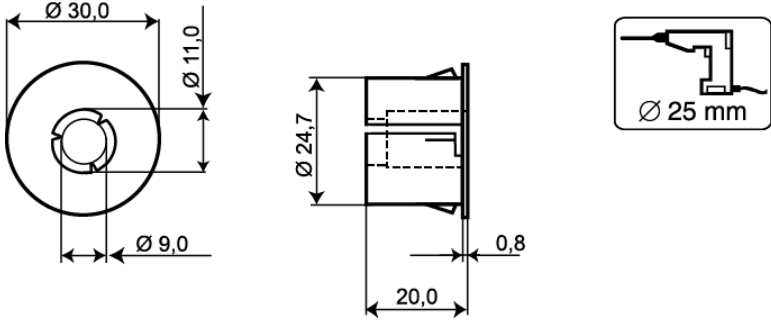

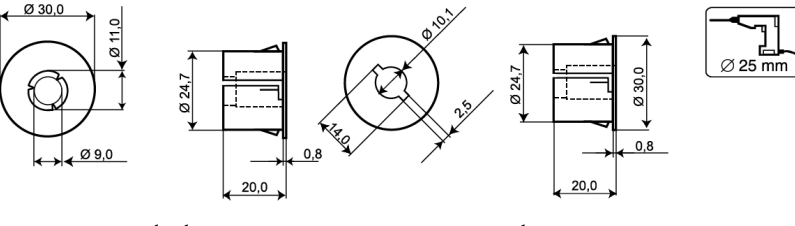


MC 240 is a universal magnetic contact with NC function that can be used in both alarm and access control systems for monitoring e.g. doors and windows against unauthorized opening. Both the contact and the magnet part are made of Al-alloy and formed in the shape of a threaded screw, which enables easy installation into wood or plastic. With our extensive range of installation accessories it is easy to install the contact either recessed or as a surface mount on metal and other materials. With appropriate accessories, the contact can even be installed in steel doors, safety valves, garage doors, etc. The contact part is sealed with special epoxy, making it water resistant.


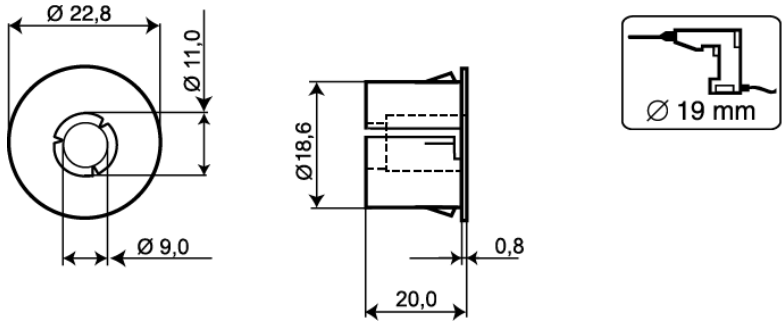

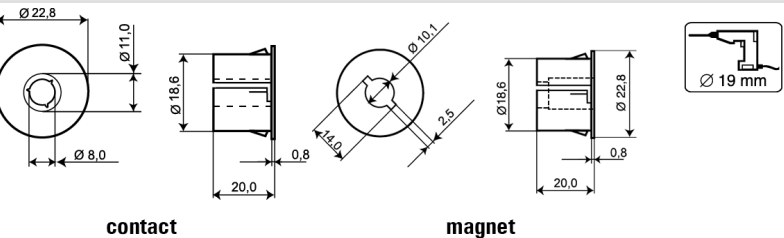
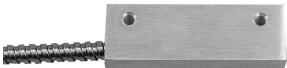
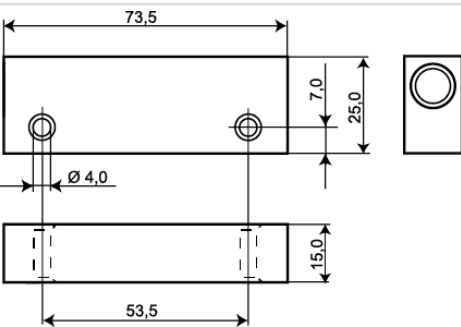

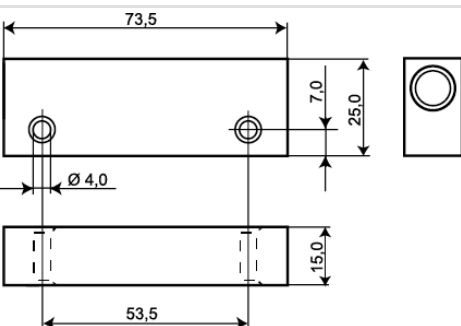
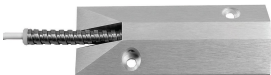
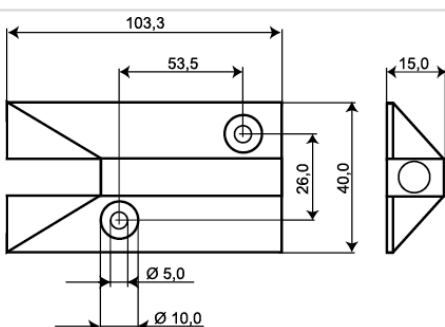


ORDERING INFORMATION


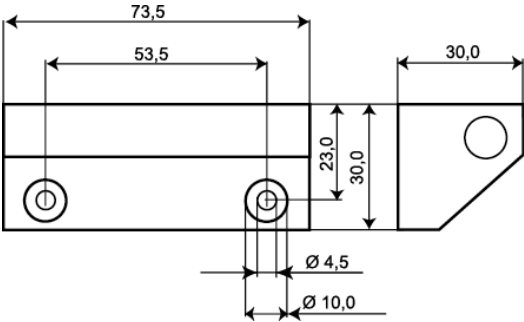

Related products and accessories

	<p>MC 200-S3</p> <p>Plastic Housing for MC 240, 246 and 247</p>	
	<p>MC 200-S11</p> <p>Plastic Flange for MC 240, 246, 247, 250, 255, 270, 272, 275</p>	
	<p>MC 200-S21</p> <p>Plastic Snap-in Flange for MC 240, 246, 247, 250, 255, 270, 272, 275</p>	
	<p>MC 200-S22</p> <p>Snap-in Flange with Strong Magnet for MC 240, 246, 247 and 255</p>	 <p style="text-align: center;">contact magnet</p>

Related products and accessories

	<p>MC 200-S31</p> <p>Plastic Snap-in Flange for MC 240, 246, 247, 250, 255, 270, 272, 275</p>	
	<p>MC 200-S32</p> <p>Snap-in Flange with Strong Magnet for MC 240, 246, 247, 255</p>	
	<p>MC 200-4</p> <p>Aluminium Housing for MC 240, 246 and 247</p>	
	<p>MC 200-5</p> <p>Aluminium Part with Extra Strong Magnet for MC 240, 246 and 247</p>	
	<p>MC 200-6</p> <p>Aluminium Housing for Floor Installation for MC 240, 246 and 247</p>	

Related products and accessories

	<p>MC 200-7 Aluminium Housing for MC 240, 246 and 247</p>	
	<p>MC 200-8 Aluminium Part with Extra Strong Magnet for MC 240, 246 and 247</p>	