

28401

JUNCTION BOX "MINI", RJ 45

Technical data

Dimensions (L x W x H) mm	58 x 76 x 27
Cable dimension - screw terminals	0,2 - 2,5 mm ²
Input max. load	50 V / 1.5 A
Tamper switch max. load	50 mA
Anti-tamper protection	Yes

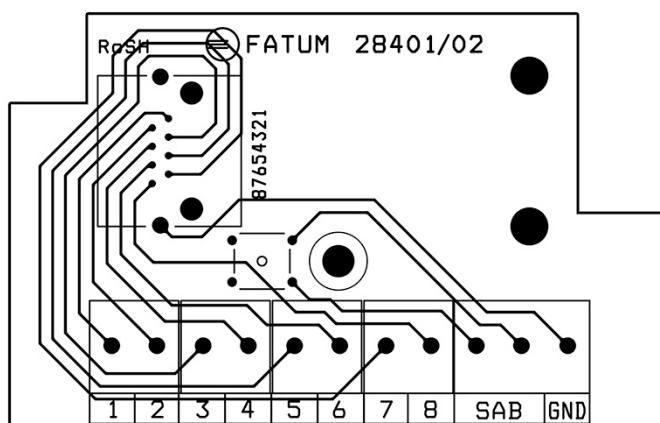
**Complete junction box for installation of alarm and access systems.**

Anti-tampering protected junction box with RJ 45 connector.

Designed for alarm and access systems and can be used for sliding doors or ports. The box is also fitted with cable strain relief and cable gland to protect the cable from wear.

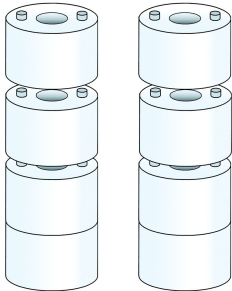
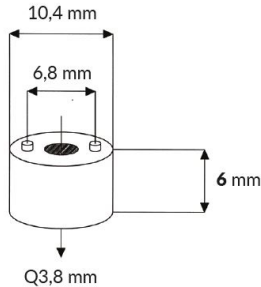
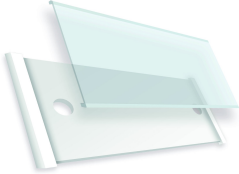
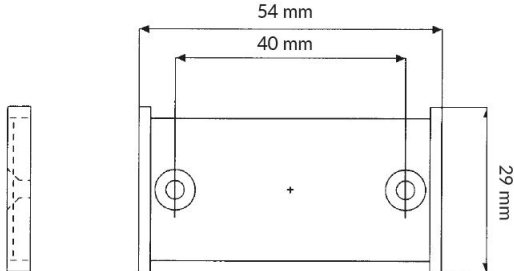

The terminal block has 11 connections, 2 of which are intended for anti-tamper switch connection and 1 is free.

The box is flame-retardant according to UL 94 V-0.

**ORDERING INFORMATION**

Model	Description
28401.03	Junction Box Mini; RJ 45; Tamper Protected; Screw

Related products and accessories

	<p>2581.06</p> <p>STACKABLE WALL SPACERS FOR EASY WIRING IN BOX</p>	
	<p>3132.01</p> <p>WALL LABEL FOR EASY LABELING</p>	
	<p>1901.12</p> <p>SPARE SPRINGS TO FATUM-SERIES</p>	