

PSV 2465-12-FC

Power supply, ViP, 24 V 6,5 A, with Fuse Card

Technical data

Approvals	CB TEST
Supply voltage	230 VAC
Output voltage	27,6 VDC
Output current	6,5 A
Space for accumulator (not included)	two 12 V/12 Ah
Tamper protection	Opening and pry off switches
Housing material	Metal
Colour	White
Dimensions (L x W x H) mm	360 x 470 x 130



Power supply unit as a module mounted on DIN-rail with ViP (Voltage in Parallel) function, 24 VDC 6.5 A.

Power supply unit with ViP function can be connected in parallel to provide more power and redundancy and compensate for voltage drop in the cables. The unit is protected against short-circuiting and overload. Mains failure, low output voltage, battery and fuse failure is indicated via LED and activates separate outputs with relays. Space is provided for two 12 V/12 Ah accumulators.


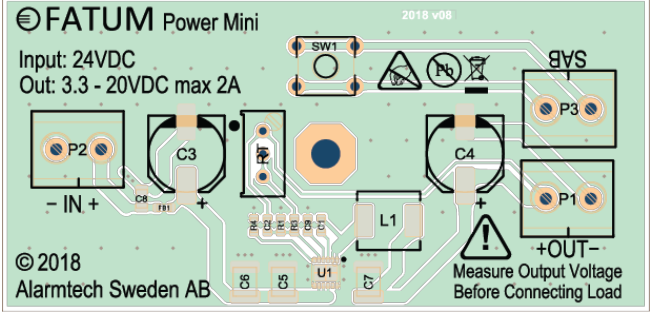
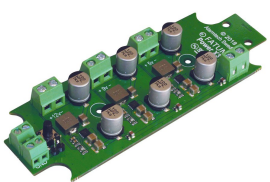
The fuse card designed for 24 V systems with 6 double fuses, one in minus and one in plus. Each fuse has a LED indication if it is broken and a relay output for fuse failure. It also has a ground failure circuit to ensure that any connection of the plus or minus is not accidentally connected to ground. The sensitivity is set by a potentiometer for each minus and plus. Ground failure is signalled individually with a LED and a relay output.

The cabinet provides space for your own equipment e.g. access control, alarm, or fire protection systems that can be easily mounted on a DIN rail in the cabinet. A unique mounting plate with punched holes attaches to the DIN rail, which allows for easy mounting of cards/electronics.

This is done with the enclosed plastic spacers.

For additional security the cabinet has opening and pry-off switches.

Related products and accessories

	<p>28097</p> <p>DC/DC Converter MINI 5-32 V -> 3-30 V</p>	
	<p>3097</p> <p>Power X3 Terminal block for installation of alarm and access systems</p> <p>DC / DC Converter 12-24 VDC -> 5V, 9V, 12V</p>	