

PSV 1225-18

Power supply unit, ViP, 12 V 2,5 A

Technical data


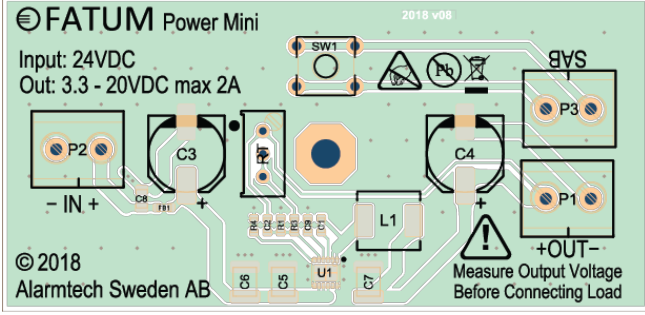
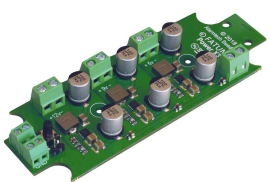
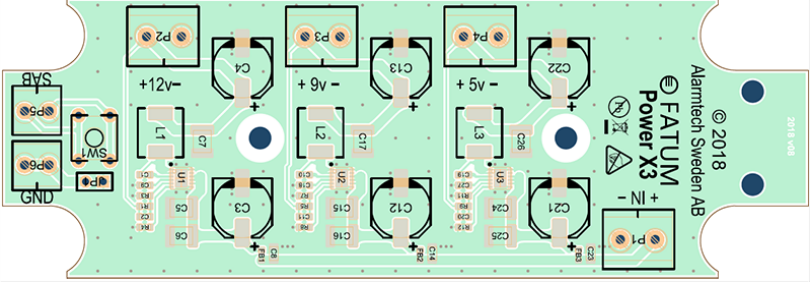
Approvals	EN 6100-6:2007 EN 61000-6-3:2007+A1, EN 60950-1:2006 + A11 +A12+A2, CB Test
Supply voltage	230 VAC
Output voltage	13,8 VDC
Output current	2,5 A
Space for accumulator (not included)	12 V/18 Ah
Tamper protection	Opening and pry off switches
Housing material	Metal
Colour	White
Dimensions (L x W x H) mm	300 x 230 x 100



Power supply unit with ViP (Voltage in Parallel) function, 12 VDC 2,5 A.

Power supply unit with ViP function can be connected in parallel to provide more power and redundancy and compensate for voltage drop in the cables. Space is provided for one 12 V/18 Ah accumulator in the metal box which also has opening and pry-off switches. The unit is protected against short-circuiting and overload. Mains failure, low output voltage, battery and fuse failure is indicated via LED and activates separate outputs with relays.

Related products and accessories

	<p>28097</p> <p>DC/DC Converter MINI 5-32 V -> 3-30 V</p>	 <p>FATUM Power Mini 2018 v08 Input: 24VDC Out: 3.3 - 20VDC max 2A © 2018 Alarmtech Sweden AB Measure Output Voltage Before Connecting Load</p>
	<p>3097</p> <p>Power X3 Terminal block for installation of alarm and access systems</p> <p>DC / DC Converter 12-24 VDC -> 5V, 9V, 12V</p>	 <p>FATUM Power X3 © 2018 Alarmtech Sweden AB</p>